

DF752-E2BBH

Update Date: 01/03/2017, Printing Date: 25/11/2019 Jeanette Goebel

**ILLUSTRATED PARTS LIST  
LISTE DES PIECES**

**KUBOTA**

MODEL DF752-E2BBH  
MODELE

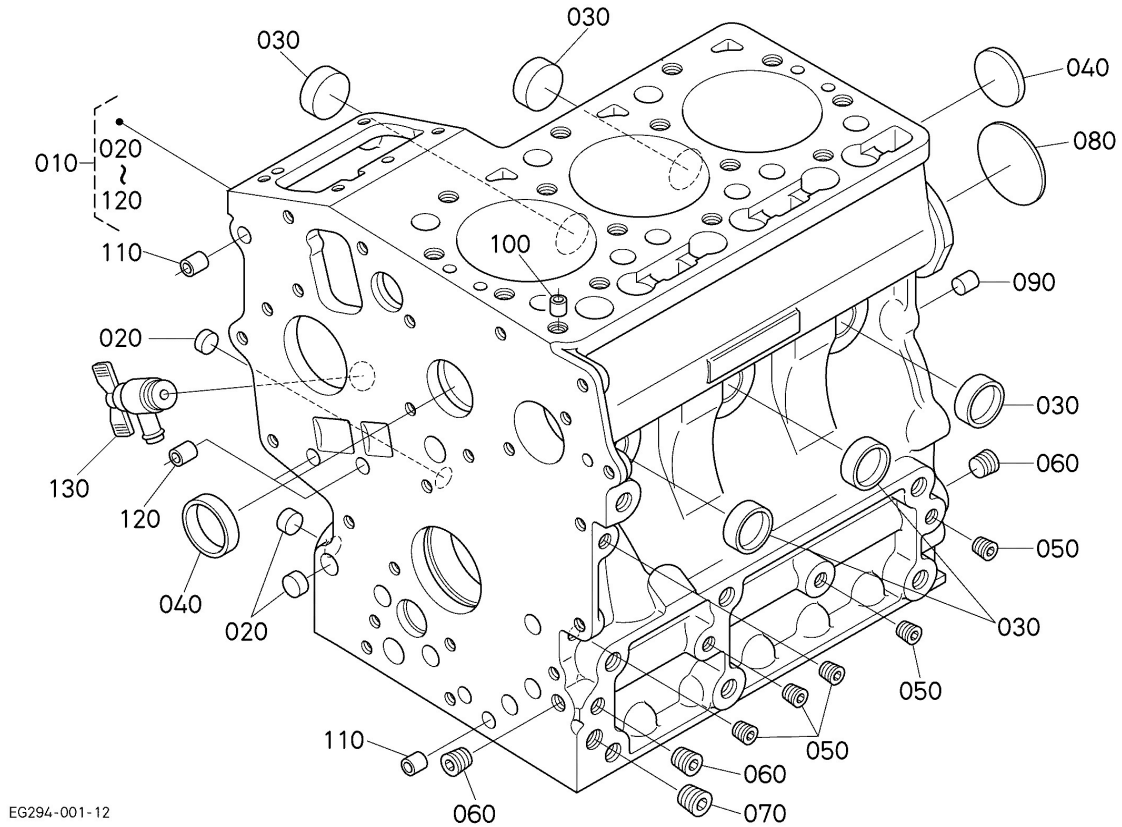
**DUAL FUEL ENGINE  
MOTEUR DOUBLE COMBUSTIBLE**

**Kubota**

97898-55310  
MAR. 2001  
MARS

DF752-E2BBH -> MOTOR -> 000100 KURBELGEHAEUSE ## DF752-E2BBH

Update Date: 01/03/2017, Printing Date: 25/11/2019 Jeanette Goebel



DF752-E2BBH -> MOTOR -> 000100 KURBELGEHAEUSE ## DF752-E2BBH

Update Date: 01/03/2017, Printing Date: 25/11/2019 Jeanette Goebel

Interchangeable =, Not Interchangeable NI, New for Old >>, Old for New <<

No	Teilenummer	Part Name	Qty	Aufrunden	IC	S/N	Remarks	Kg
010	12691-01013	GRP. KURBELGEHAEUSE	1			<=3S8996		18.0
010	12691-01016	GRP. KURBELGEHAEUSE	1		>>	>=3U0001		18.0
010	12691-01017	GRP. KURBELGEHAEUSE	1		>>	>=4A0001		18.0
010	12691-01021	KOMP.KURBELGEHAEUSE	1		>>	>=5L0001		0.0
010	12691-01023	KOMP.KURBELGEHAEUSE	1		>>	>=6Q0001		20.0
010	12691-01024	KOMP.KURBELGEHAEUSE	1		NI	>=9C0001		20.0
010	12691-01025	KOMP.KURBELGEHAEUSE	1		>>	>=4CQ0001		20.0
020	16851-96260	KAPPE	3					0.005
030	16851-96270	KAPPE	5					0.005
040	15451-96270	KAPPE	2					0.01
050	15261-96010	STOPFEN	5					0.002
060	15521-96020	STOPFEN	3					0.003

DF752-E2BBH -> MOTOR -> 000100 KURBELGEHAEUSE ## DF752-E2BBH

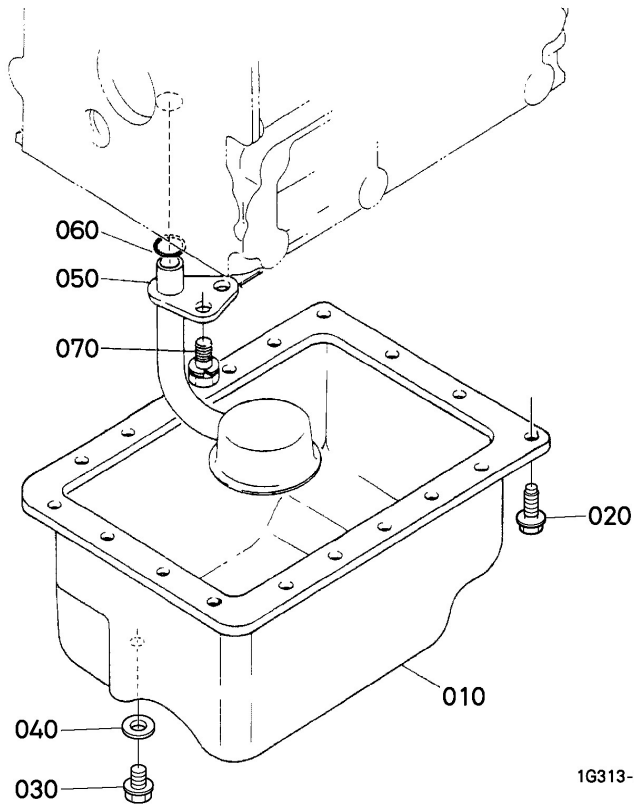
Update Date: 01/03/2017, Printing Date: 25/11/2019 Jeanette Goebel

Interchangeable =, Not Interchangeable NI, New for Old >>, Old for New <<

No	Teilenummer	Part Name	Qty	Aufrunden	IC	S/N	Remarks	Kg
070	15521-96030	STOPFEN	1					0.007
080	15261-96160	STOPFEN	1					0.02
090	05012-00814	ZYLINDERSTIFT	2					0.006
100	15221-33650	ROHRSTIFT	1					0.004
110	15231-33960	ROHRSTIFT	2			<=4CPZ999		0.001
110	17331-59190	ROHRSTIFT	2		>>	>=4CQ0001		0.002
120	17331-59190	ROHRSTIFT	2			<=9BZ999		0.002
120	15231-33960	ROHRSTIFT	2		NI	>=9C0001		0.001
120	17331-59190	ROHRSTIFT	2		>>	>=4CQ0001		0.002
130	15841-73020	GRP.ABLASSHAHN	1			<=9VZ999		0.03
130	16871-73020	GRP.ABLASSHAHN	1		>>	>=9W0001		0.034

DF752-E2BBH -> MOTOR -> 000200 OELWANNE ## DF752-E2BBH

Update Date: 01/03/2017, Printing Date: 25/11/2019 Jeanette Goebel



DF752-E2BBH -> MOTOR -> 000200 OELWANNE ## DF752-E2BBH

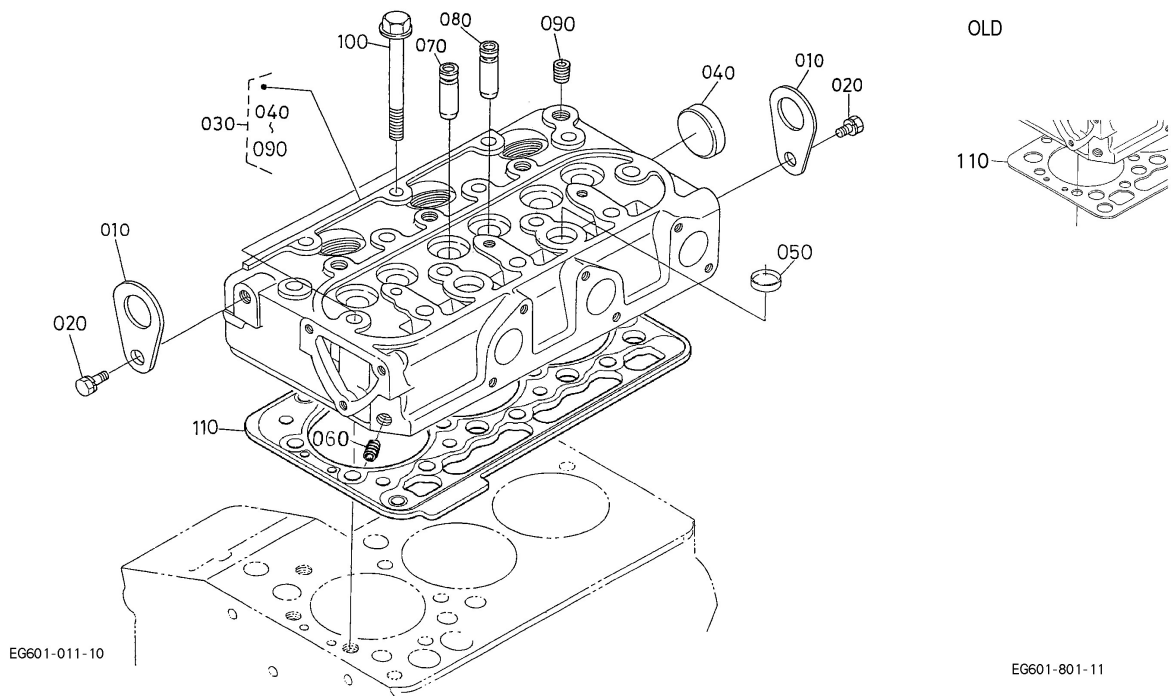
Update Date: 01/03/2017, Printing Date: 25/11/2019 Jeanette Goebel

Interchangeable =, Not Interchangeable NI, New for Old >>, Old for New <<

No	Teilenummer	Part Name	Qty	Aufrunden	IC	S/N	Remarks	Kg
010	15862-01500	KOMP.OELWANNE	1					1.11
020	01023-50612	BOLZEN	18			<=6X9999		0.005
020	01023-50614	BOLZEN	18		NI	>=6Y0001		0.005
020	01023-50612	BOLZEN	18		>>	>=4CY0001		0.005
030	15221-33750	STOPFEN	1			<=4K9999		0.032
030	16326-33751	ENTLEERUNGSSTOPFEN	1		>>	>=4L0001		0.0
030	13901-33750	ENTLEERUNGSSTOPFEN	1		>>	>=6Q0001		0.025
040	6C090-58960	DICHTUNGSPLATTE	1					0.005
050	16851-32110	OELFILTER	1					0.11
060	04814-00160	O RING	1					0.001
070	01123-50814	BOLZEN	1					0.01

DF752-E2BBH -> MOTOR -> 000300 ZYLINDERKOPF ## DF752-E2BBH

Update Date: 01/03/2017, Printing Date: 25/11/2019 Jeanette Goebel



DF752-E2BBH -> MOTOR -> 000300 ZYLINDERKOPF ## DF752-E2BBH

Update Date: 01/03/2017, Printing Date: 25/11/2019 Jeanette Goebel

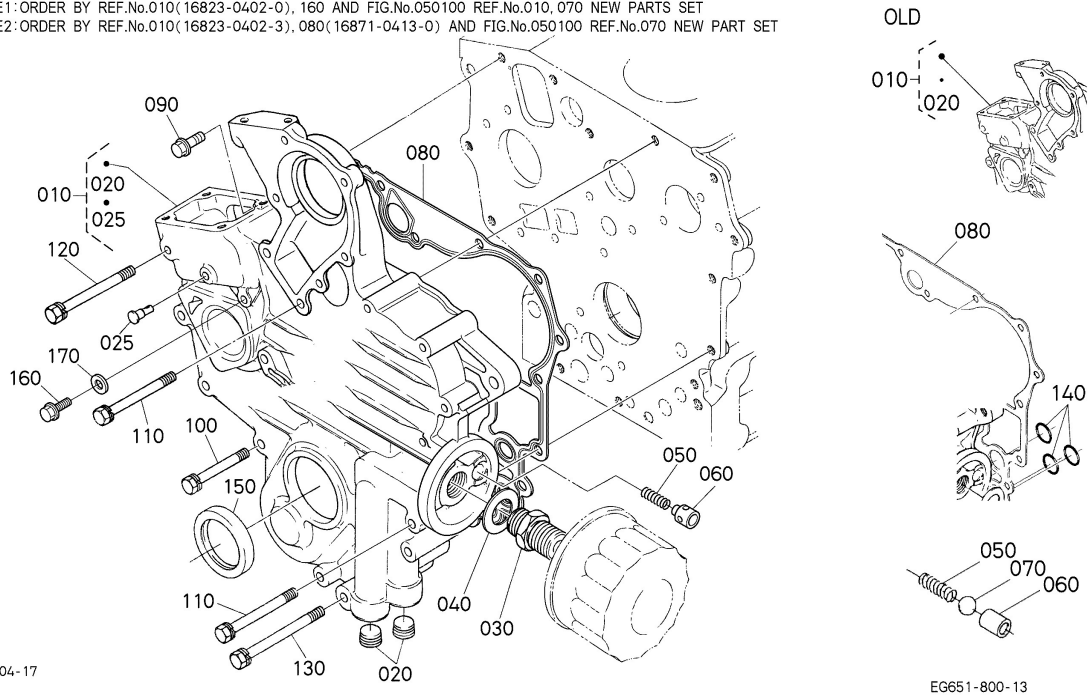
Interchangeable =, Not Interchangeable NI, New for Old >>, Old for New <<

No	Teilenummer	Part Name	Qty	Aufrunden	IC	S/N	Remarks	Kg
010	15221-01750	MOTORHAKEN	2					0.04
020	01123-50816	BOLZEN	2					0.011
030	EG651-03040	KOMP.ZYLINDERKOPF	1			<=9FZ999		7.0
030	EG651-03045	KOMP.ZYLINDERKOPF	1		>>	>=9G0001		7.3
040	15321-96260	KAPPE	1					0.014
050	15261-03370	STOEPSEL,ABDICHTUNG	2					0.005
060	15261-96010	STOPFEN	1					0.002
070	15841-13540	EINLASSVENTILFUEHRUNG	3					0.014
080	15841-13560	AUSLASSVENTILFUEHRUNG	3					0.014
090	15841-96020	STOPFEN	1					0.02
100	14601-03450	ZYLINDERKOPFSCHRAUBE	14					0.035
110	12691-03311	GASKET,HEAD	1			<=4B1174		0.0
110	EG601-03310	ZYLINDERKOPFDICHTUNG	1		=	>=4C0001		0.032

# DF752-E2BBH -> MOTOR -> 000400 GETRIEBEGEHAEUSE ## DF752-E2BBH

Update Date: 01/03/2017, Printing Date: 25/11/2019 Jeanette Goebel

NOTE1: ORDER BY REF.No.010(16823-0402-0), 160 AND FIG.No.050100 REF.No.010, 070 NEW PARTS SET  
 NOTE2: ORDER BY REF.No.010(16823-0402-3), 080(16871-0413-0) AND FIG.No.050100 REF.No.070 NEW PART SET



12691-004-17

EG651-800-13

# DF752-E2BBH -> MOTOR -> 000400 GETRIEBEGEHAEUSE ## DF752-E2BBH

Update Date: 01/03/2017, Printing Date: 25/11/2019 Jeanette Goebel

Interchangeable =, Not Interchangeable NI, New for Old >>, Old for New <<

No	Teilenummer	Part Name	Qty	Aufrunden	IC	S/N	Remarks	Kg
010	12691-04020	KMP.GETRIEBEGEHAEUSE	1			<=6B9999	SEE NOTE1	1.7
010	16823-04020	KMP.GETRIEBEGEHAEUSE	1		NI	>=6C0001	SEE NOTE2	1.7
010	16823-04023	KMP.GETRIEBEGEHAEUSE	1		NI	>=7W0001		1.7
010	16823-04024	KMP.GETRIEBEGEHAEUSE	1		NI	>=4EG0001		1.7
020	16851-96010	STOPFEN	2			<=4F1505		0.015
020	15521-96030	STOPFEN	2		NI	>=4G0001		0.007
025	15841-56280	STARTFEDERSTIFT	1			>=6C0001		0.005
030	15241-32290	VERBINDUNGSSTUECK	1					0.053
040	15841-94010	SCHEIBE	1					0.003
050	16851-36950	FEDER	1			<=4EFZ999		0.02
050	1J092-36950	FEDER	1		NI	>=4EG0001		0.004
060	15841-36930	SITZ,VENTIL	1			<=4EFZ999		0.003
060	1J050-36930	UEBERLAUFVENTIL	1		NI	>=4EG0001		0.005
070	07715-03211	KUGEL	1			<=4EFZ999		0.003
080	15862-04132	DICHTUNG	1			<=7VZ999		0.007

DF752-E2BBH -> MOTOR -> 000400 GETRIEBEGEHAEUSE ## DF752-E2BBH

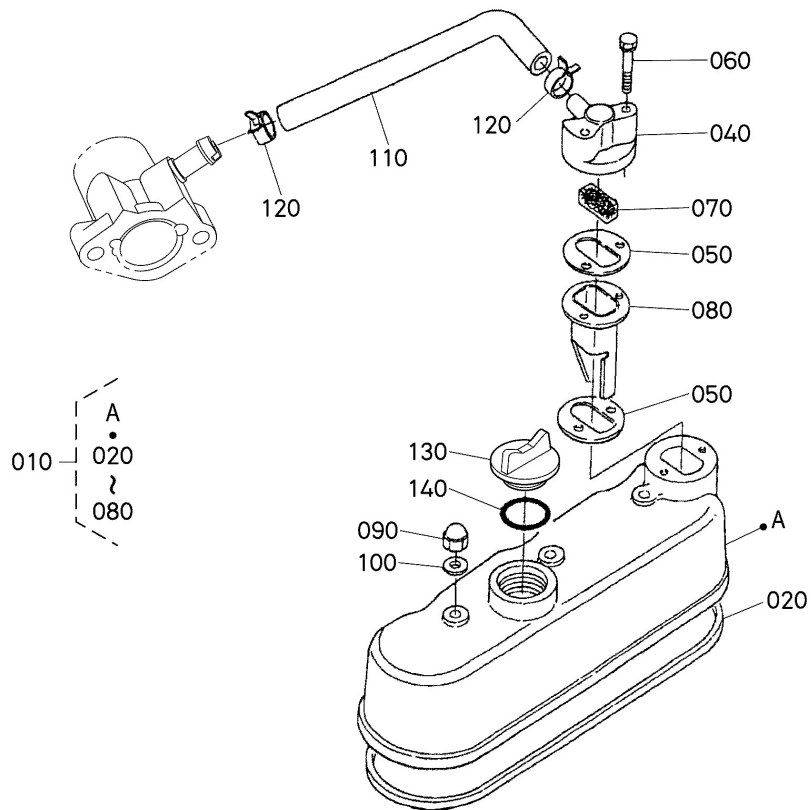
Update Date: 01/03/2017, Printing Date: 25/11/2019 Jeanette Goebel

Interchangeable =, Not Interchangeable NI, New for Old >>, Old for New <<

No	Teilenummer	Part Name	Qty	Aufrunden	IC	S/N	Remarks	Kg
080	16871-04130	DICHTUNG	1		NI	>=7W0001		0.08
090	01023-50618	BOLZEN	1			<=4CXZ999		0.006
090	01754-50616	SCHRAUBE	1		>>	>=4CY0001		0.006
100	01023-50650	BOLZEN	8					0.012
110	15841-91010	BOLZEN	5					0.014
120	01023-50670	BOLZEN	1					0.015
130	01023-50675	BOLZEN	1					0.01
140	04814-06130	O RING	3			<=7VZ999		0.001
150	15877-04140	OELDICHTUNGSRING	1					0.011
160	01754-50610	SCHRAUBE	1			>=6C0001		0.006
170	04714-00060	DICHTUNGSPLATTE	1			>=6C0001		0.001

DF752-E2BBH -> MOTOR -> 000500 ZYLINDER KOPF-DECKEL ## DF752-E2BBH

Update Date: 01/03/2017, Printing Date: 25/11/2019 Jeanette Goebel



E9104-033-15

DF752-E2BBH -> MOTOR -> 000500 ZYLINDER KOPF-DECKEL ## DF752-E2BBH

Update Date: 01/03/2017, Printing Date: 25/11/2019 Jeanette Goebel

Interchangeable =, Not Interchangeable NI, New for Old >>, Old for New <<

No	Teilenummer	Part Name	Qty	Aufrunden	IC	S/N	Remarks	Kg
010	EG261-14500	ZYLINDERKOPFHAUBE	1					0.43
020	16861-14522	VENTILDECKELDICHTUNG	1					0.02
040	EG261-05420	ENTLUEFTERDECKEL	1					0.047
050	17524-05130	DICHTUNGSPLATTE	2					0.001
060	01023-50635	BOLZEN	2					0.01
070	15841-05670	ENTLUEFTUNGSELEMENT	1					0.01
080	17472-14490	PLATTE	1					0.015
090	15841-14620	MUTTER	3					0.006
100	15601-96650	DICHTUNGSPLATTE	3					0.001
110	EG261-05512	ROEHRE,ENTLUEFTER	1					0.04
120	16241-73360	SCHLAUCHBINDER	2					0.003



DF752-E2BBH -> MOTOR -> 000500 ZYLINDER KOPF-DECKEL ## DF752-E2BBH

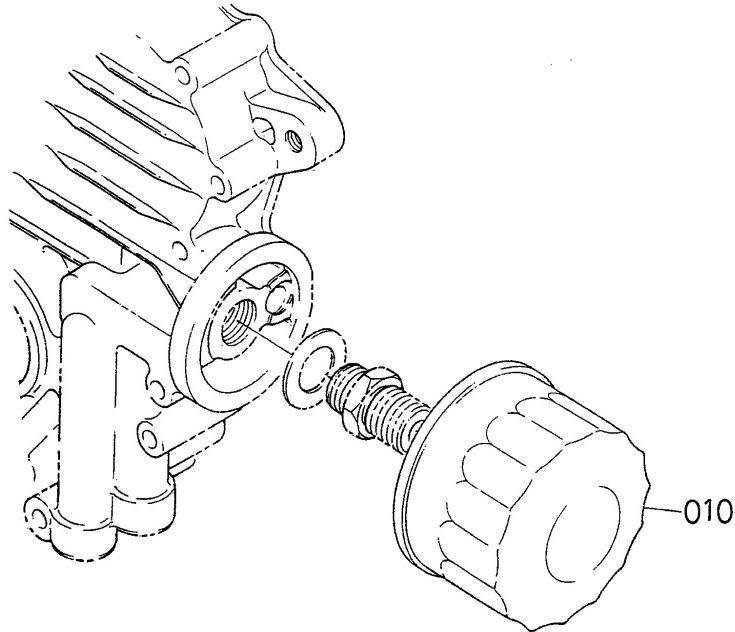
Update Date: 01/03/2017, Printing Date: 25/11/2019 Jeanette Goebel

Interchangeable =, Not Interchangeable NI, New for Old >>, Old for New <<

No	Teilenummer	Part Name	Qty	Aufrunden	IC	S/N	Remarks	Kg
130	15852-33140	OELEINFUELLSSTOPFEN	1			<=2J7251		0.038
130	E9151-33140	OELEINFUELLSTOPFEN	1		=	>=2L0001		0.017
140	04814-50300	O RING	1			<=9VZ999		0.001
140	1J001-96770	O RING	1		>>	>=9W0001		0.001

DF752-E2BBH -> MOTOR -> 000600 OELFILTER ## DF752-E2BBH

Update Date: 01/03/2017, Printing Date: 25/11/2019 Jeanette Goebel



12691-006-10

DF752-E2BBH -> MOTOR -> 000600 OELFILTER ## DF752-E2BBH

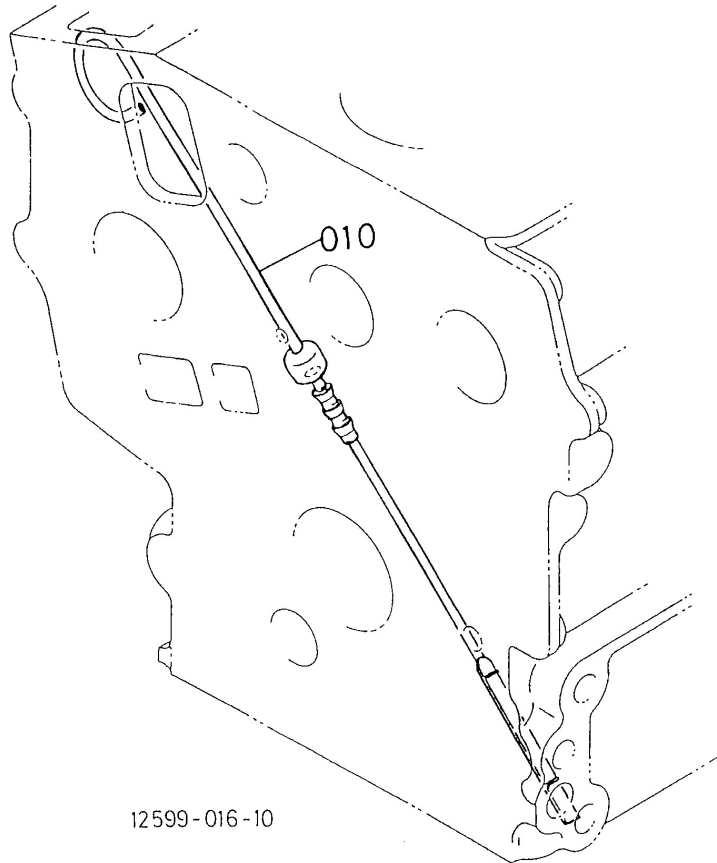
Update Date: 01/03/2017, Printing Date: 25/11/2019 Jeanette Goebel

Interchangeable =, Not Interchangeable NI, New for Old >>, Old for New <<

No	Teilenummer	Part Name	Qty	Aufrunden	IC	S/N	Remarks	Kg
010	15853-32430	OELFILTERPATRONE	1			<=4CMZ999		0.24
010	15853-32437	OELFILTERPATRONE	1		>>	>=4CN0001		0.24
010	1J090-32430	OELFILTERPATRONE	1		>>	>=4GQ0001		0.238
010	HH150-32430	OELFILTERPATRONE	1		>>			0.2

DF752-E2BBH -> MOTOR -> 000700 OELMESSSTAB UND FUEHRUNG ##  
DF752-E2BBH

Update Date: 01/03/2017, Printing Date: 25/11/2019 Jeanette Goebel



DF752-E2BBH -> MOTOR -> 000700 OELMESSSTAB UND FUEHRUNG ## DF752-  
E2BBH

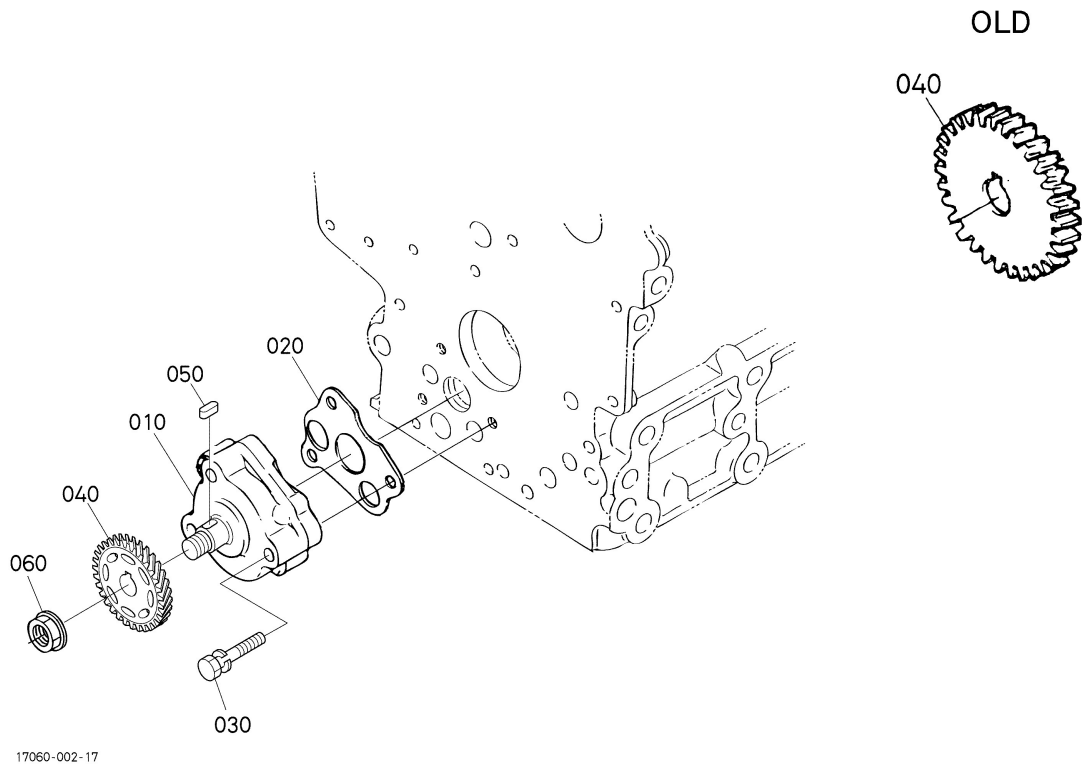
Update Date: 01/03/2017, Printing Date: 25/11/2019 Jeanette Goebel

Interchangeable =, Not Interchangeable NI, New for Old >>, Old for New <<

No	Teilenummer	Part Name	Qty	Aufrunden	IC	S/N	Remarks	Kg
010	16851-36410	OELMESSSTAB	1					0.03

DF752-E2BBH -> MOTOR -> 000800 OEL PUMPE ## DF752-E2BBH

Update Date: 01/03/2017, Printing Date: 25/11/2019 Jeanette Goebel



1G825-809-10

DF752-E2BBH -> MOTOR -> 000800 OEL PUMPE ## DF752-E2BBH

Update Date: 01/03/2017, Printing Date: 25/11/2019 Jeanette Goebel

Interchangeable =, Not Interchangeable NI, New for Old >>, Old for New <<

No	Teilenummer	Part Name	Qty	Aufrunden	IC	S/N	Remarks	Kg
010	16851-35011	GRP.OELPUMPE	1			<=2J7251		0.0
010	16851-35012	GRP.OELPUMPE	1		>>	>=2L0001		0.24
020	16851-35152	DICHTUNG,OELPUMPE	1					0.001
030	15841-91050	BOLZEN	3					0.01
040	15841-35660	ZAHNRAD	1			<=4DKZ999		0.113
040	1G687-35660	ZAHNRAD	1		>>	>=4DL0001		0.07
040	1G687-35662	ZAHNRAD	1		>>	>=4EE0001		0.07
050	05712-00408	KEIL	1					0.001
060	02783-50100	MUTTER	1			<=4EZZ999		0.01

DF752-E2BBH -> MOTOR -> 000800 OEL PUMPE ## DF752-E2BBH

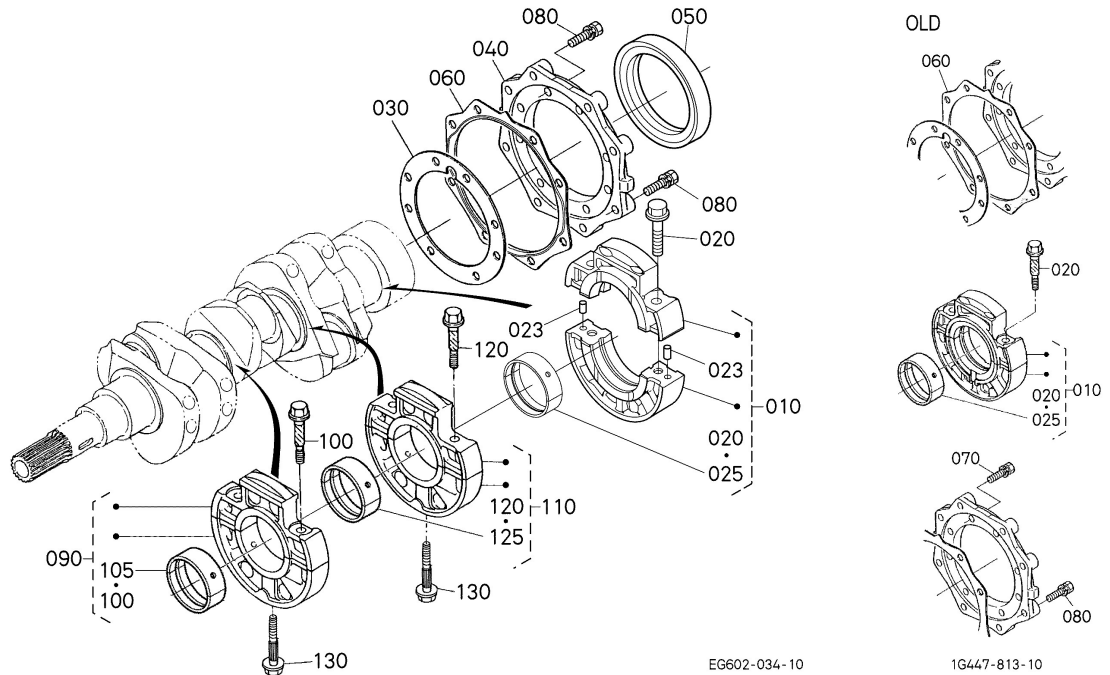
Update Date: 01/03/2017, Printing Date: 25/11/2019 Jeanette Goebel

Interchangeable =, Not Interchangeable NI, New for Old >>, Old for New <<

No	Teilenummer	Part Name	Qty	Aufrunden	IC	S/N	Remarks	Kg
060	02771-50100	MUTTER	1		>>	>=4FA0001		0.005

DF752-E2BBH -> MOTOR -> 010000 HAUPTLAGER GEHAEUSE ## DF752-E2BBH

Update Date: 01/03/2017, Printing Date: 25/11/2019 Jeanette Goebel



DF752-E2BBH -> MOTOR -> 010000 HAUPTLAGER GEHAEUSE ## DF752-E2BBH

Update Date: 01/03/2017, Printing Date: 25/11/2019 Jeanette Goebel

Interchangeable =, Not Interchangeable NI, New for Old >>, Old for New <<

No	Teilenummer	Part Name	Qty	Aufrunden	IC	S/N	Remarks	Kg
010	15841-07090	GRP.LAGERGEHAEUSE	1			<=BFZ999		0.71
010	15841-07094	GRP.LAGERGEHAEUSE	1		>>	>=BG0001		0.71
010	1J002-07090	GRP.LAGERGEHAEUSE	1		NI	>=4CY0001		0.335
020	15841-04540	BOLZEN	2			<=4CXZ999		0.012
020	01754-50840	SCHRAUBE	2		NI	>=4CY0001		0.02
023	05012-00608	ZYLINDERSTIFT	2			>=4CY0001		0.002
025	15694-23480	LAGERSCHALE	1			<=BFZ999	STD SET	0.04
025	15694-23940	LAGERSCHALE	1			<=BFZ999	-0.4mm SET	0.046
025	15694-23930	LAGERSCHALE	1			<=BFZ999	-0.2mm SET	0.04
025	15694-23932	LAGERSCHALE	1		>>	>=BG0001	-0.2mm SET	0.04
025	15694-23942	LAGERSCHALE	1		>>	>=BG0001	-0.4mm SET	0.046
025	15694-23482	LAGERSCHALE	1		>>	>=BG0001	STD SET	0.04
030	15852-04360	DICHTUNG,LAGER	1			<=4M2501		0.005
030	1G960-04360	DICHTUNG,LAGER	1		>>	>=4N0001		0.01
030	15852-04360	DICHTUNG,LAGER	1		NI	>=4Y0001		0.005

DF752-E2BBH -> MOTOR -> 010000 HAUPTLAGER GEHAEUSE ## DF752-E2BBH

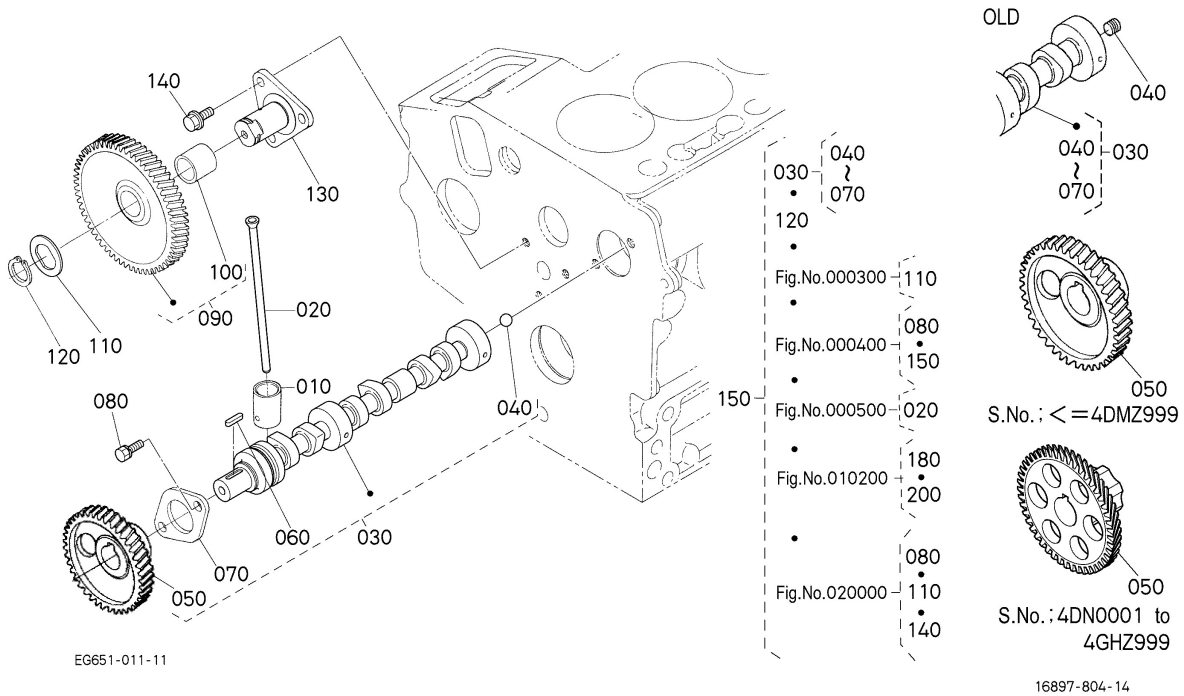
Update Date: 01/03/2017, Printing Date: 25/11/2019 Jeanette Goebel

Interchangeable =, Not Interchangeable NI, New for Old >>, Old for New <<

No	Teilenummer	Part Name	Qty	Aufrunden	IC	S/N	Remarks	Kg
040	15841-04810	DECKEL,LAGERKASTEN	1			<=5FZ999		0.16
040	15841-04815	DECKEL,LAGERKASTEN	1		>>	>=5G0001		0.16
050	1G460-04460	OELDICHTUNGSRING	1					0.032
060	15841-04822	DICHTUNGSPLATTE	1			<=7VZ999		0.004
060	15841-04823	DICHTUNG	1		>>	>=7W0001		0.007
070	01023-50620	BOLZEN	8			<=4CXZ999		0.006
080	01023-50622	BOLZEN	8			<=4CXZ999		0.005
080	01023-50622	BOLZEN	16			>=4CY0001		0.005
090	12691-07040	GRP.LAGERGEHAEUSE	1			<=BFZ999		0.57
090	12691-07044	GRP.LAGERGEHAEUSE	1		>>	>=BG0001		0.57
100	15841-04540	BOLZEN	2					0.012
105	15861-23480	LAGERSCHALE	1			<=BFZ999	STD SET	0.01
105	15861-23860	LAGERSCHALE	1			<=BFZ999	-0.2mm SET	0.03
105	15861-23870	LAGERSCHALE	1			<=BFZ999	-0.4mm SET	0.03
105	15861-23873	LAGERSCHALE	1		>>	>=BG0001	-0.4mm SET	0.03
105	15861-23863	LAGERSCHALE	1		>>	>=BG0001	-0.2mm SET	0.03
105	15861-23484	LAGERSCHALE	1		>>	>=BG0001	STD SET	0.01
110	16861-07050	GRP.LAGERGEHAEUSE	1			<=BFZ999		0.57
110	16861-07054	GRP.LAGERGEHAEUSE	1		>>	>=BG0001		0.57
120	15841-04540	BOLZEN	2					0.012
125	15861-23480	LAGERSCHALE	1			<=BFZ999	STD SET	0.01
125	15861-23870	LAGERSCHALE	1			<=BFZ999	-0.4mm SET	0.03
125	15861-23860	LAGERSCHALE	1			<=BFZ999	-0.2mm SET	0.03
125	15861-23863	LAGERSCHALE	1		>>	>=BG0001	-0.2mm SET	0.03
125	15861-23873	LAGERSCHALE	1		>>	>=BG0001	-0.4mm SET	0.03
125	15861-23484	LAGERSCHALE	1		>>	>=BG0001	STD SET	0.01
130	15841-04562	BOLZEN,LAGERKASTEN	2					0.02

DF752-E2BBH -> MOTOR -> 010100 NOCKENWELLE UND WELLE  
FREILAUFGETR ## DF752-E2BBH

Update Date: 01/03/2017, Printing Date: 25/11/2019 Jeanette Goebel



DF752-E2BBH -> MOTOR -> 010100 NOCKENWELLE UND WELLE FREILAUFGETR  
## DF752-E2BBH

Update Date: 01/03/2017, Printing Date: 25/11/2019 Jeanette Goebel

Interchangeable =, Not Interchangeable NI, New for Old >>, Old for New <<

No	Teilenummer	Part Name	Qty	Aufrunden	IC	S/N	Remarks	Kg
010	16851-15550	STOESSEL	6			<=4X4026	ORDER BY REF.No.010 NEW PART	0.025
010	16851-15552	STOESSEL	6		>>	>=4Y0001		0.024
020	16851-15110	STOESSELSTANGE	6					0.02
030	15861-16010	GRP.NOCKENWELLE	1			<=7ZZ999		0.9
030	15861-16018	GRP.NOCKENWELLE	1		>>	>=8A0001		0.0
030	15861-16120	GRP.NOCKENWELLE	1		>>	>=9Q0001	ORDER BY REF.No.030 NEW PART	1.0
030	1G408-16010	GRP.NOCKENWELLE	1		>>	>=4GJ0001		1.05
040	15521-93610	ANSCHLAGSCHRAUBE	1			<=4M2501		0.002
040	07715-00401	KUGEL	1		NI	>=4N0001		0.001
050	15841-16510	ZAHNRAD	1			<=4DMZ999		0.27



DF752-E2BBH -> MOTOR -> 010100 NOCKENWELLE UND WELLE FREILAUFGETR  
 ## DF752-E2BBH

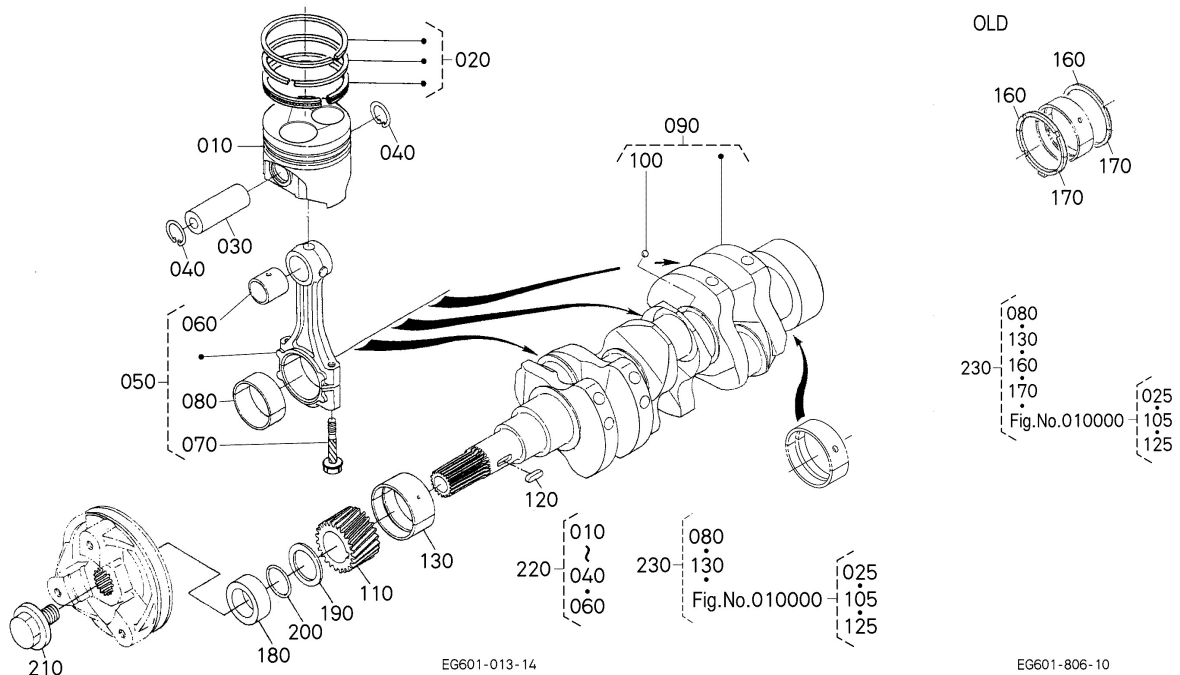
Update Date: 01/03/2017, Printing Date: 25/11/2019 Jeanette Goebel

Interchangeable =, Not Interchangeable NI, New for Old >>, Old for New <<

No	Teilenummer	Part Name	Qty	Aufrunden	IC	S/N	Remarks	Kg
050	1J094-16510	ZAHNRAD	1		>>	>=4DN0001	ORDER BY REF.No.050 NEW PART	0.17
050	1G687-16510	ZAHNRAD	1		>>	>=4GJ0001		0.267
060	05712-00518	KEIL	1					0.003
070	15841-16270	NOCKENWELLENSPERRPLATTE	1					0.027
080	01023-50612	BOLZEN	2					0.005
090	15875-24013	ZAHNRAD KOMP.	1			<=BPZ999		0.38
090	15875-24015	ZAHNRAD KOMPL.	1		>>	>=BQ0001		0.38
100	15875-24282	BUCHSE	1			<=BPZ999		0.01
100	15875-24284	BUCHSE	1		>>	>=BQ0001		0.01
110	15875-24370	HUELSE	1					0.006
120	15875-24320	VERSCHLUSSRING	1					0.003
130	15875-24250	WELLE	1					0.13
140	01023-50614	BOLZEN	3			<=4CXZ999		0.005
140	01754-50612	SCHRAUBE	3		>>	>=4CY0001		0.005
150	EG651-16930	NOCKENWELLE	1			>=4CY0001		0.0

DF752-E2BBH -> MOTOR -> 010200 KOLBEN-KURBEL WELLE ## DF752-E2BBH

Update Date: 01/03/2017, Printing Date: 25/11/2019 Jeanette Goebel



DF752-E2BBH -> MOTOR -> 010200 KOLBEN-KURBEL WELLE ## DF752-E2BBH

Update Date: 01/03/2017, Printing Date: 25/11/2019 Jeanette Goebel

Interchangeable =, Not Interchangeable NI, New for Old >>, Old for New <<

No	Teilenummer	Part Name	Qty	Aufrunden	IC	S/N	Remarks	Kg
010	EG601-21110	KOLBEN	3				STD	0.16
010	EG601-21910	KOLBEN	3				+0.5mm	0.17
020	12691-21053	GRP.KOLBENRING	3				STD	0.03
020	12691-21093	GRP.KOLBENRING	3				+0.5mm	0.03
030	12581-21310	KOLBENBOLZEN	3					0.05
040	14601-21330	SEEGERING	6					0.002
050	15861-22010	GRP.PLEUELSTANGE	3			<=BFZ999		0.35
050	15861-22017	GRP.PLEUELSTANGE	3		>>	>=BG0001		0.35
060	15841-21980	BUCHSE,KOLBENSTIFT	3					0.01
070	16851-22140	BOLZEN	6					0.012
080	15861-22980	LAGERSCHALE	3			<=BFZ999	-0.4mm SET	0.03
080	15861-22970	LAGERSCHALE	3			<=BFZ999	-0.2mm SET	0.03
080	15861-22973	LAGERSCHALE	3		>>	>=BG0001	-0.2mm SET	0.03
080	15861-22983	LAGERSCHALE	3		>>	>=BG0001	-0.4mm SET	0.03
080	15861-22310	METALLTEIL	3			<=BFZ999	STD SET	0.02

## DF752-E2BBH -&gt; MOTOR -&gt; 010200 KOLBEN-KURBEL WELLE ## DF752-E2BBH

Update Date: 01/03/2017, Printing Date: 25/11/2019 Jeanette Goebel

Interchangeable =, Not Interchangeable NI, New for Old &gt;&gt;, Old for New &lt;&lt;

No	Teilenummer	Part Name	Qty	Aufrunden	IC	S/N	Remarks	Kg
080	15861-22314	LAGERSCHALE	3		>>	>=BG0001	STD SET	0.02
090	16861-23010	KOMP.KURBELWELLE	1			<=6R9999		5.56
090	16861-23012	KOMP.KURBELWELLE	1		>>	>=6S0001		5.56
100	07715-03207	KUGEL	3					0.001
110	15841-24110	ZAHNRAD	1					0.14
120	05712-00515	KEIL	1					0.003
130	15861-23470	LAGERSCHALE	1			<=BPZ999	STD	0.03
130	15861-23920	LAGERSCHALE	1			<=BPZ999	-0.4mm	0.04
130	15861-23910	LAGERSCHALE	1			<=BPZ999	-0.2mm	0.04
130	15861-23913	LAGERSCHALE	1		>>	>=BQ0001	-0.2mm	0.04
130	15861-23923	LAGERSCHALE	1		>>	>=BQ0001	-0.4mm	0.04
130	15861-23474	LAGERSCHALE	1		>>	>=BQ0001	STD	0.03
160	15261-23530	LAGERSCHALE	2			<=BPZ999	STD	0.006
160	15261-23533	LAGERSCHALE	2		>>	>=BQ0001	STD	0.006
160	15261-23952	LAGERSCHALE	2			<=BPZ999	+0.2mm	0.006
160	15261-23960	LAGERSCHALE	2			<=BPZ999	+0.4mm	0.007
160	15261-23963	LAGERSCHALE	2		>>	>=BQ0001	+0.4mm	0.007
160	15261-23953	LAGERSCHALE	2		>>	>=BQ0001	+0.2mm	0.012
160	15261-23533	LAGERSCHALE	2			<=4CXZ999	STD	0.006
160	15261-23953	LAGERSCHALE	2			<=4CXZ999	+0.2mm	0.012
160	15261-23963	LAGERSCHALE	2			<=4CXZ999	+0.4mm	0.007
170	15261-23540	LAGERSCHALE	2			<=6T9999	STD	0.007
170	15261-23980	LAGERSCHALE	2			<=6T9999	+0.4mm	0.007
170	15261-23970	LAGERSCHALE	2			<=6T9999	+0.2mm	0.006
170	15261-23973	LAGERSCHALE	2		>>	>=6U0001	+0.2mm	0.006
170	15261-23983	LAGERSCHALE	2		>>	>=6U0001	+0.4mm	0.007
170	15261-23543	LAGERSCHALE	2		>>	>=6U0001	STD	0.007
170	15261-23544	LAGERSCHALE	2		>>	>=BQ0001	STD	0.007
170	15261-23984	LAGERSCHALE	2		>>	>=BQ0001	+0.4mm	0.007
170	15261-23974	LAGERSCHALE	2		>>	>=BQ0001	+0.2mm	0.006
170	15261-23974	LAGERSCHALE	2			<=4CXZ999	+0.2mm	0.006
170	15261-23984	LAGERSCHALE	2			<=4CXZ999	+0.4mm	0.007
170	15261-23544	LAGERSCHALE	2			<=4CXZ999	STD	0.007
180	15841-23250	HALSRING	1					0.05
190	15881-23310	OELABSTREIFRING	1					0.004
200	04814-16220	O RING	1					0.001
210	15881-91030	BOLZEN	1					0.06

DF752-E2BBH -> MOTOR -> 010200 KOLBEN-KURBEL WELLE ## DF752-E2BBH

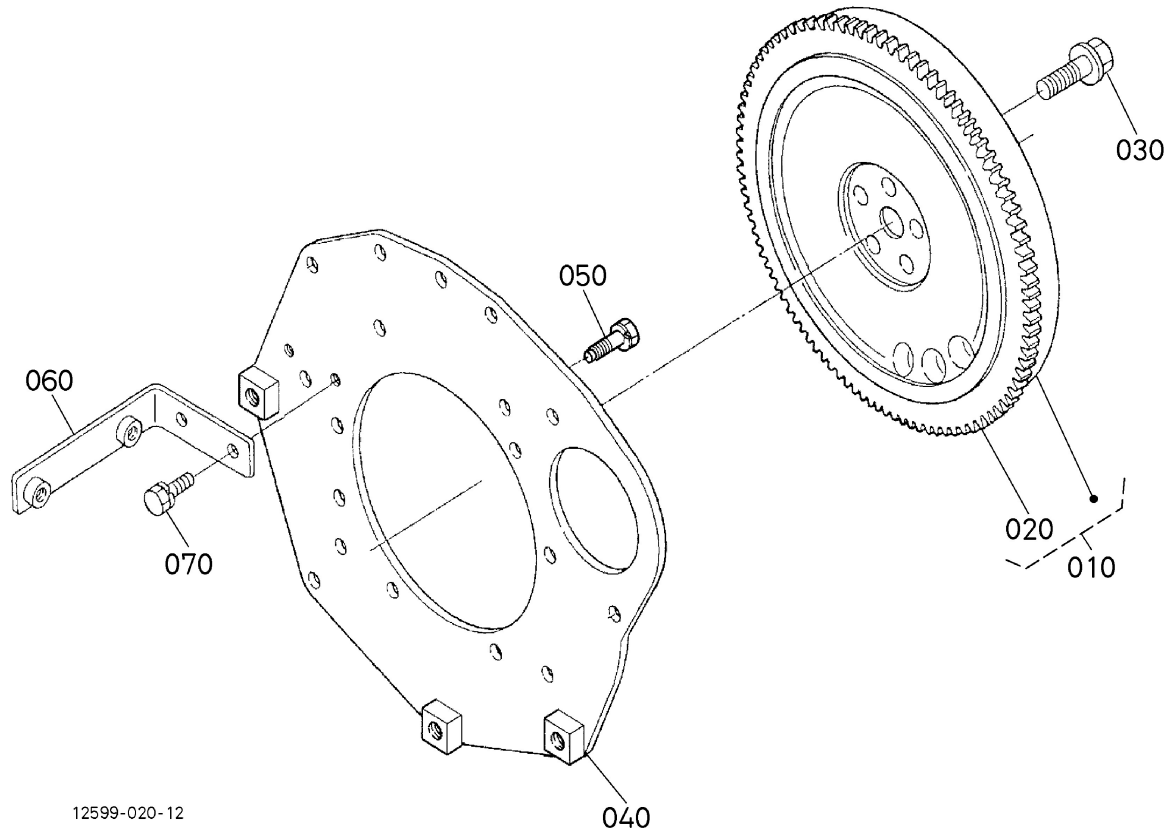
Update Date: 01/03/2017, Printing Date: 25/11/2019 Jeanette Goebel

Interchangeable =, Not Interchangeable NI, New for Old >>, Old for New <<

No	Teilenummer	Part Name	Qty	Aufrunden	IC	S/N	Remarks	Kg
220	EG601-21770	GRP.KOLBEN	3				STD	0.27
220	EG601-21780	GRP.KOLBEN	3				+0.5mm	0.27
230	EG601-23750	LAGERSATZ	1			<=BFZ999	STD	0.364
230	EG601-23752	LAGERSATZ	1		>>	>=BG0001	STD	0.364
230	1E051-23761	KIT METAL,ENGINE	1			<=BFZ999	-0.2mm/+0.2mm	0.0
230	1E051-23771	KIT METAL,ENGINE	1			<=BFZ999	-0.4mm/+0.4mm	0.0
230	1E051-23772	LAGERSATZ	1		>>	>=BG0001	-0.4mm/+0.4mm	0.377
230	1E051-23762	LAGERSATZ	1		>>	>=BG0001	-0.2mm/+0.2mm	0.37
230	EG601-23752	LAGERSATZ	1			<=4CXZ999	STD	0.364
230	1E051-23763	LAGERSATZ	1		>>	>=4CY0001	-0.2mm/+0.2mm	0.37
230	1E051-23773	LAGERSATZ	1		>>	>=4CY0001	-0.4mm/+0.4mm	0.377

DF752-E2BBH -> MOTOR -> 010300 SCHWUNGRAD ## DF752-E2BBH

Update Date: 01/03/2017, Printing Date: 25/11/2019 Jeanette Goebel



12599-020-12

DF752-E2BBH -> MOTOR -> 010300 SCHWUNGRAD ## DF752-E2BBH

Update Date: 01/03/2017, Printing Date: 25/11/2019 Jeanette Goebel

Interchangeable =, Not Interchangeable NI, New for Old >>, Old for New <<

No	Teilenummer	Part Name	Qty	Aufrunden	IC	S/N	Remarks	Kg
010	16861-25014	KOMP.SCHWUNGRAD	1			<=AFZ999		6.0
010	16861-25019	KOMP.SCHWUNGRAD	1		>>	>=AG0001		6.0
010	16861-25020	KOMP.SCHWUNGRAD	1		>>	>=4CY0001		5.85
020	16851-63822	ZAHNKRANZ	1			<=AFZ999		0.57
020	16871-63820	ZAHNKRANZ	1		>>	>=AG0001		0.58
020	16871-63822	ZAHNKRANZ	1		>>	>=4CY0001		0.58
030	15852-25160	BOLZEN,SCHWUNGRAD	5					0.025
040	12691-04620	PLATTE	1					1.48
050	01123-50816	BOLZEN	10			<=3Z1309		0.011
050	16871-91010	BOLZEN	10		NI	>=4A0001		0.012
060	12581-68850	TRAEGER	1					0.08

DF752-E2BBH -> MOTOR -> 010300 SCHWUNGRAD ## DF752-E2BBH

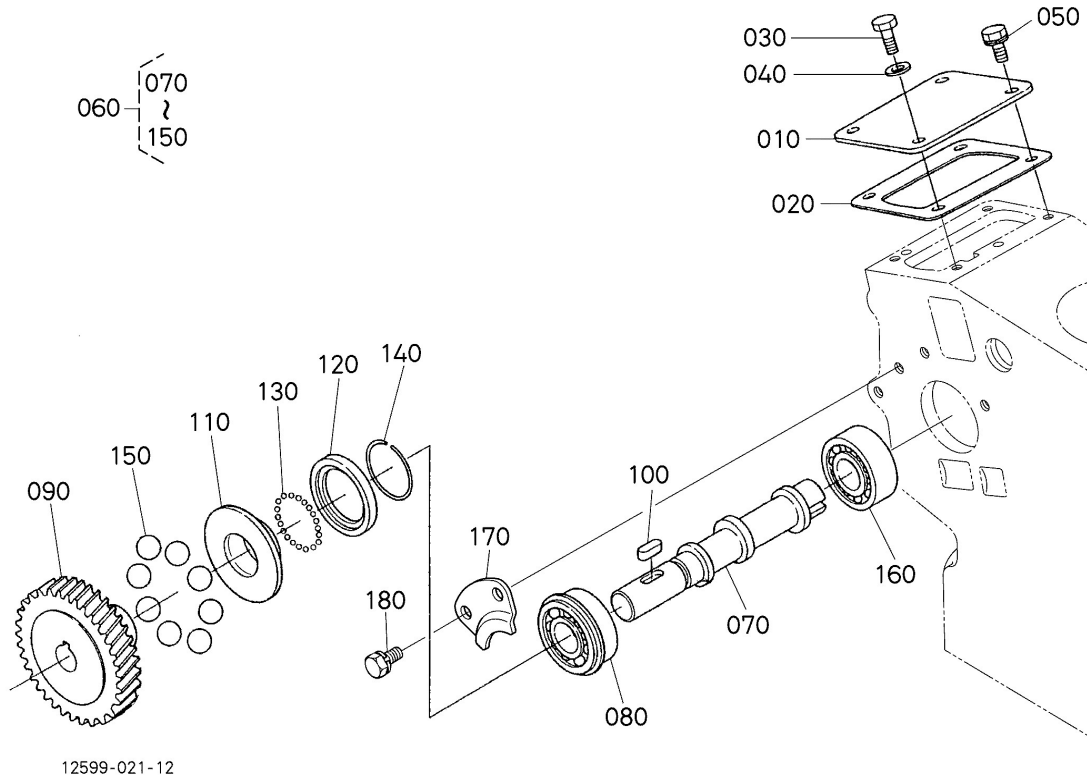
Update Date: 01/03/2017, Printing Date: 25/11/2019 Jeanette Goebel

Interchangeable =, Not Interchangeable NI, New for Old >>, Old for New <<

No	Teilenummer	Part Name	Qty	Aufrunden	IC	S/N	Remarks	Kg
070	01023-50610	BOLZEN	2					0.005

DF752-E2BBH -> MOTOR -> 010500 KRAFTSTOFF NOCKENWELLE ##  
DF752-E2BBH

Update Date: 01/03/2017, Printing Date: 25/11/2019 Jeanette Goebel



DF752-E2BBH -> MOTOR -> 010500 KRAFTSTOFF NOCKENWELLE ## DF752-  
E2BBH

Update Date: 01/03/2017, Printing Date: 25/11/2019 Jeanette Goebel

Interchangeable =, Not Interchangeable NI, New for Old >>, Old for New <<

No	Teilenummer	Part Name	Qty	Aufrunden	IC	S/N	Remarks	Kg
010	12581-51650	DECKEL	1					0.185
020	EG281-51660	DICHTUNGSPLATTE	1					0.002
030	01053-50612	BOLZEN	1					0.004
040	15601-96650	DICHTUNGSPLATTE	1					0.001
050	01023-50614	BOLZEN	3					0.005
060	12584-16030	GRP.WELLEDISTRIBUTOR	1			<=5V9999		0.746
060	12584-16032	GRP.WELLEDISTRIBUTOR	1		>>	>=5W0001		0.746
060	12584-16033	GRP.WELLEDISTRIBUTOR	1		>>	>=9Y0001		0.75
070	12584-16180	WELLDISTRIBUTOR	1					0.2
080	08153-06203	KUGELLAGER	1					0.08
090	15841-51150	GETRIEBEZAHRAD	1					0.315

DF752-E2BBH -> MOTOR -> 010500 KRAFTSTOFF NOCKENWELLE ## DF752-E2BBH

Update Date: 01/03/2017, Printing Date: 25/11/2019 Jeanette Goebel

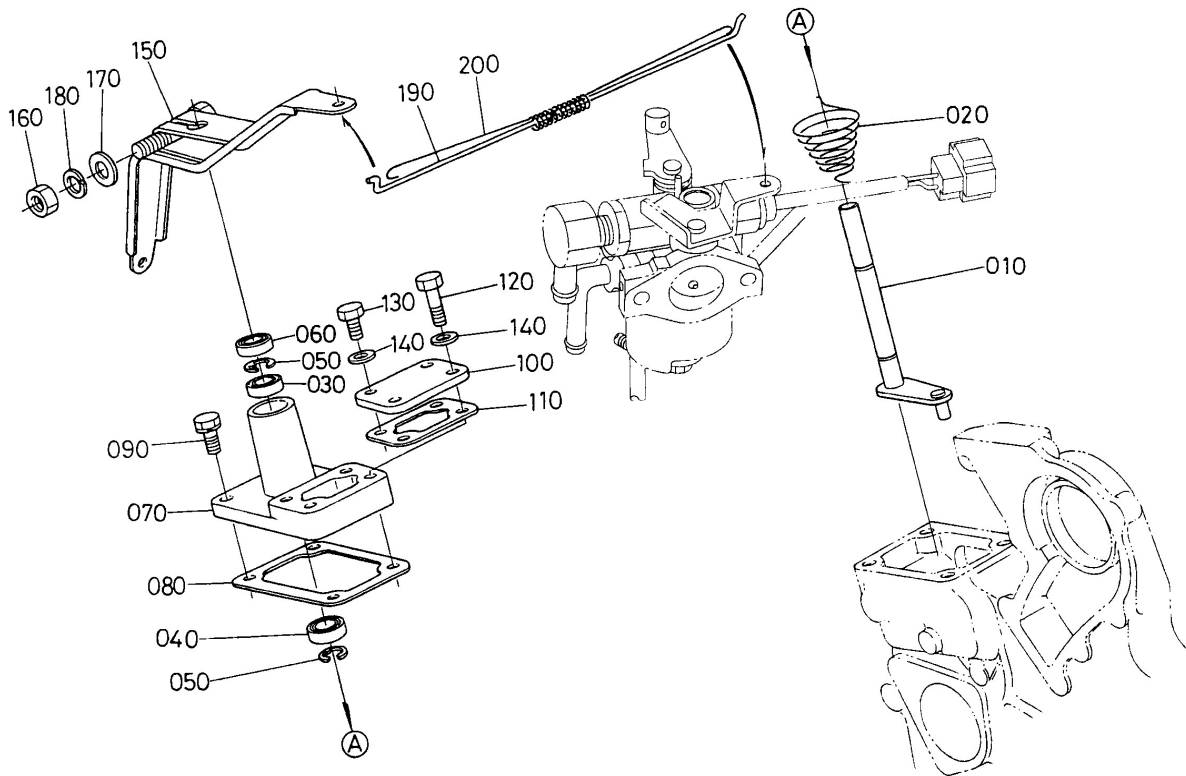
Interchangeable =, Not Interchangeable NI, New for Old >>, Old for New <<

No	Teilenummer	Part Name	Qty	Aufrunden	IC	S/N	Remarks	Kg
100	05712-00515	KEIL	1					0.003
110	15841-55451	REGLERMUFFE	1			<=5V9999		0.0
110	15841-55452	REGLERMUFFE	1		>>	>=5W0001		0.05
120	15841-55690	REGLER, KUGELGEHAEUSE	1			<=9XZ999		0.02
120	15841-55692	REGLER, KUGELGEHAEUSE	1		>>	>=9Y0001		0.013
130	07715-00801	KUGEL	32					0.001
140	15261-55470	SPRENGRING	1					0.002
150	07715-03217	KUGEL	8					0.01
160	08103-06203	KUGELLAGER	1			<=3Z1309		0.065
160	16871-97300	KUGELLAGER	1		=	>=4A0001		0.06
170	15841-16320	STOPFEN	1					0.015
180	01023-50612	BOLZEN	2					0.005



DF752-E2BBH -> MOTOR -> 020000 REGULERHEBEL ## DF752-E2BBH

Update Date: 01/03/2017, Printing Date: 25/11/2019 Jeanette Goebel



EG651-002-10

DF752-E2BBH -> MOTOR -> 020000 REGULERHEBEL ## DF752-E2BBH

Update Date: 01/03/2017, Printing Date: 25/11/2019 Jeanette Goebel

Interchangeable =, Not Interchangeable NI, New for Old >>, Old for New <<

No	Teilenummer	Part Name	Qty	Aufrunden	IC	S/N	Remarks	Kg
010	12581-56100	KOMP.REGLERHEBEL	1					0.055
020	12581-55870	FEDERWELLE	1					0.004
030	EG283-55810	LAGER	1					0.002
040	EG283-55820	LAGER	1					0.003
050	12581-55830	SPRENGRING	2					0.001
060	12581-55850	OELDICHTUNGSRING	1					0.002
070	12581-56310	STAENDERWELLE	1					0.07
080	15841-57212	DICHTUNG	1					0.001
090	01023-50618	BOLZEN	2					0.006
100	12581-56330	DECKEL	1					0.028
110	EG281-56340	DICHTUNGSPLATTE	1					0.001
120	01053-50622	BOLZEN	2			<=4P2496		0.007

DF752-E2BBH -> MOTOR -> 020000 REGULERHEBEL ## DF752-E2BBH

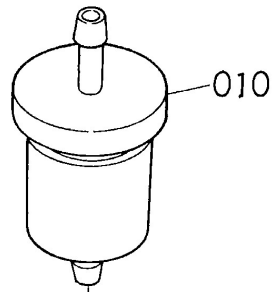
Update Date: 01/03/2017, Printing Date: 25/11/2019 Jeanette Goebel

Interchangeable =, Not Interchangeable NI, New for Old >>, Old for New <<

No	Teilenummer	Part Name	Qty	Aufrunden	IC	S/N	Remarks	Kg
120	01053-50625	BOLZEN	2		>>	>=4Q0001		0.007
130	01053-50612	BOLZEN	2					0.004
140	15601-96650	DICHTUNGSPLATTE	4					0.001
150	EG294-56110	REGLERHEBEL	1					0.11
160	02156-50080	MUTTER	1					0.004
170	04013-50080	SCHEIBE	1					0.003
180	04512-50080	FEDERING	1					0.002
190	12581-56350	REGLERSTANGE	1					0.01
200	12581-56390	FRUEHLING	1					0.004

DF752-E2BBH -> MOTOR -> 020100 KRAFTSTOFFFILTER ## DF752-E2BBH

Update Date: 01/03/2017, Printing Date: 25/11/2019 Jeanette Goebel



12691-010-10

DF752-E2BBH -> MOTOR -> 020100 KRAFTSTOFFFILTER ## DF752-E2BBH

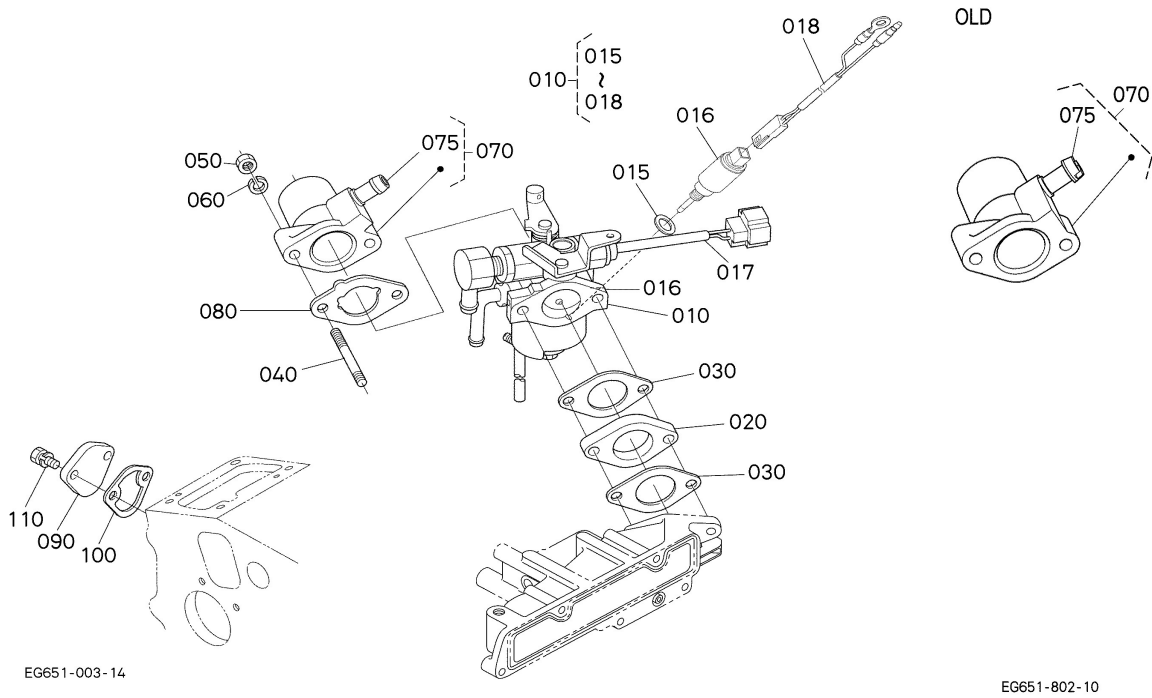
Update Date: 01/03/2017, Printing Date: 25/11/2019 Jeanette Goebel

Interchangeable =, Not Interchangeable NI, New for Old >>, Old for New <<

No	Teilenummer	Part Name	Qty	Aufrunden	IC	S/N	Remarks	Kg
010	12581-43012	GRP.KRAFTSTOFFFILTER	1					0.034

DF752-E2BBH -> MOTOR -> 020200 KARBURATOR ## DF752-E2BBH

Update Date: 01/03/2017, Printing Date: 25/11/2019 Jeanette Goebel



DF752-E2BBH -> MOTOR -> 020200 KARBURATOR ## DF752-E2BBH

Update Date: 01/03/2017, Printing Date: 25/11/2019 Jeanette Goebel

Interchangeable =, Not Interchangeable NI, New for Old >>, Old for New <<

No	Teilenummer	Part Name	Qty	Aufrunden	IC	S/N	Remarks	Kg
010	EG651-44012	VERGASER,KOMPLETT	1			<=4D9999		0.0
010	EG651-44013	VERGASER,KOMPLETT	1		>>	>=4E0001		0.6
015	EG551-44950	DICHTUNGSPLATTE	1			>=AY0001		0.001
016	EG551-44720	DRAHTSPULE,KOMP	1					0.048
017	EG551-44790	DRAHTSPULE,KOMP	1					0.07
018	EG651-44920	ANSCHLUBKLEMME,KOMP	1					0.05
020	12596-46150	FLANSCH,VERGASER	1					0.022
030	12035-46110	DICHTUNG,VERGASER	2					0.002
040	EG261-91490	STEBOLZEN	2			<=4DFZ999		0.04
040	E9121-91490	STEBOLZEN	2		>>	>=4DG0001		0.03
050	02156-50080	MUTTER	2					0.004
060	04512-50080	FEDERRING	2					0.002
070	EG261-11603	KOMP.FLANSCH	1			<=ADZ999		0.06
070	EG261-11605	FLANSCH.LUFTFILTER	1		>>	>=AE0001		0.048
075	EG261-73372	SCHALTUNG	1					0.002

DF752-E2BBH -> MOTOR -> 020200 KARBURATOR ## DF752-E2BBH

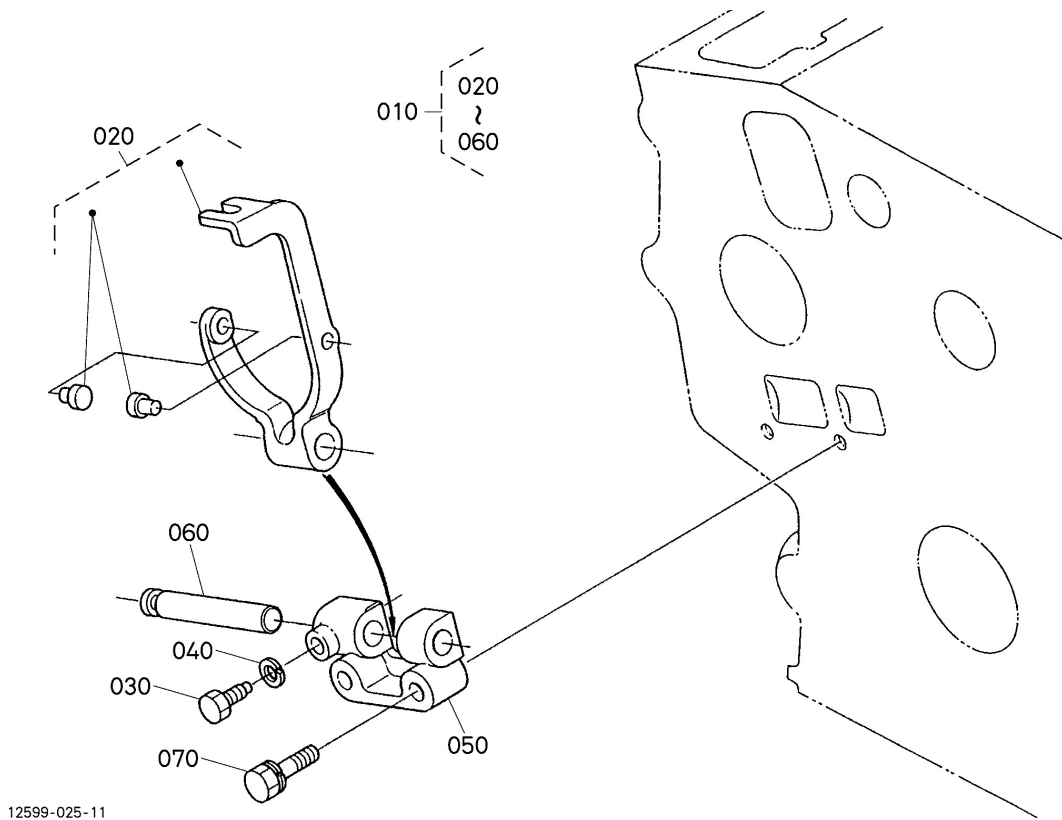
Update Date: 01/03/2017, Printing Date: 25/11/2019 Jeanette Goebel

Interchangeable =, Not Interchangeable NI, New for Old >>, Old for New <<

No	Teilenummer	Part Name	Qty	Aufrunden	IC	S/N	Remarks	Kg
080	EG261-11510	DICHTUNG,LUFTFILTER	1					0.014
090	15852-52850	DECKEL	1					0.05
100	16264-52140	DICHTUNG	1					0.001
110	01023-50616	BOLZEN	2					0.006

DF752-E2BBH -> MOTOR -> 020400 GABEL HEBEL ## DF752-E2BBH

Update Date: 01/03/2017, Printing Date: 25/11/2019 Jeanette Goebel



DF752-E2BBH -> MOTOR -> 020400 GABEL HEBEL ## DF752-E2BBH

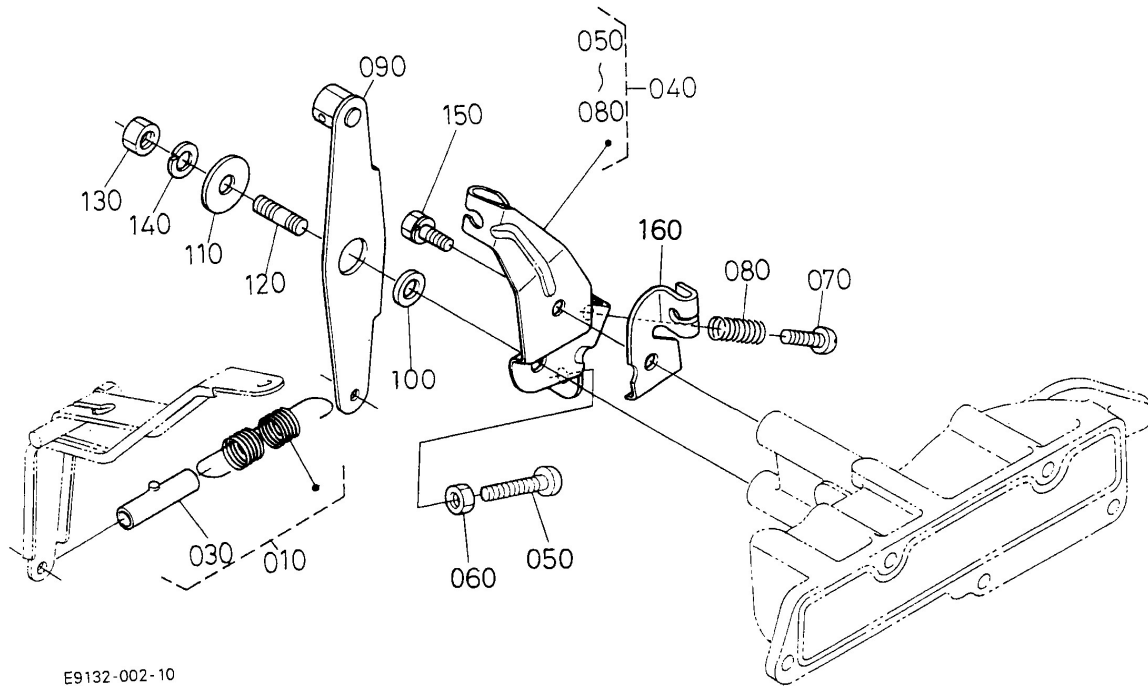
Update Date: 01/03/2017, Printing Date: 25/11/2019 Jeanette Goebel

Interchangeable =, Not Interchangeable NI, New for Old >>, Old for New <<

No	Teilenummer	Part Name	Qty	Aufrunden	IC	S/N	Remarks	Kg
010	12581-56050	GRP.GABELHEBEL	1			<=9BZ999		0.15
010	12581-56053	GRP.GABELHEBEL	1		>>	>=9C0001		0.15
020	12581-56040	KOMP.GABELHEBEL	1					0.08
030	15261-66410	BOLZEN	1					0.003
040	04512-50050	FEDERRING	1					0.001
050	15841-56230	GABELHEBELHALTER	1			<=9BZ999		0.035
050	15841-56233	GABELHEBELHALTER	1		>>	>=9C0001		0.03
060	12581-56150	GABELHEBELWELLE	1					0.01
070	01023-50635	BOLZEN	2					0.01

DF752-E2BBH -> MOTOR -> 020500 DREHZAHILVER ## DF752-E2BBH

Update Date: 01/03/2017, Printing Date: 25/11/2019 Jeanette Goebel



DF752-E2BBH -> MOTOR -> 020500 DREHZAHILVER ## DF752-E2BBH

Update Date: 01/03/2017, Printing Date: 25/11/2019 Jeanette Goebel

Interchangeable =, Not Interchangeable NI, New for Old >>, Old for New <<

No	Teilenummer	Part Name	Qty	Aufrunden	IC	S/N	Remarks	Kg
010	EG266-56400	GRP.REGLERFEDER	1					0.02
030	12691-56430	KISSEN	1					0.005
040	12581-57010	GRP.REGELPLATTE	1					0.02
050	12182-93310	SCHRAUBE	1					0.002
060	02014-50060	MUTTER	1					0.002
070	12182-93410	SCHRAUBE	1					0.003
080	13641-56860	FEDER	1					0.001
090	12581-57040	HEBEL	1					0.09
100	12581-57240	HUELSE	1					0.004
110	04015-50080	SCHEIBE	1					0.01
120	01518-50820	STEBBOLZEN	1					0.012
130	02156-50080	MUTTER	1					0.004

DF752-E2BBH -> MOTOR -> 020500 DREHZAHLVER ## DF752-E2BBH

Update Date: 01/03/2017, Printing Date: 25/11/2019 Jeanette Goebel

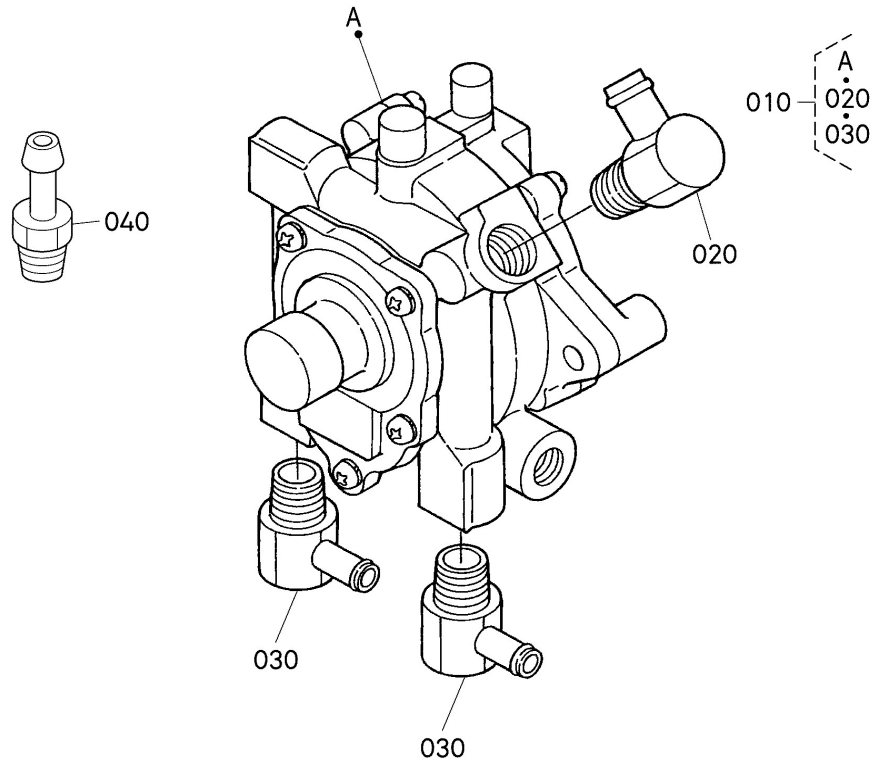
Interchangeable =, Not Interchangeable NI, New for Old >>, Old for New <<

No	Teilenummer	Part Name	Qty	Aufrunden	IC	S/N	Remarks	Kg
140	04512-50080	FEDERRING	1					0.002
150	01023-50614	BOLZEN	1					0.005
160	12599-46810	SCHUTZDRAHTSEILANKER	1					0.024



DF752-E2BBH -> MOTOR -> 020600 VERDAMPFER ## DF752-E2BBH

Update Date: 01/03/2017, Printing Date: 25/11/2019 Jeanette Goebel



EG283-003-12

DF752-E2BBH -> MOTOR -> 020600 VERDAMPFER ## DF752-E2BBH

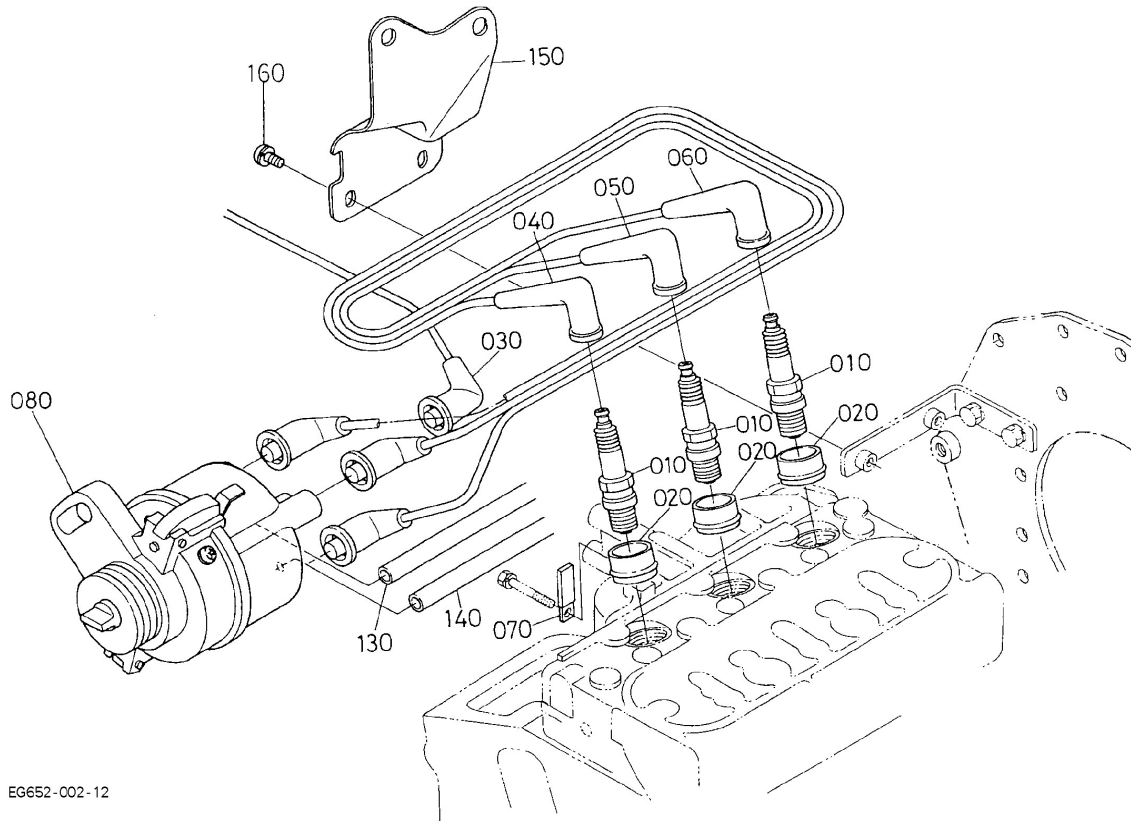
Update Date: 01/03/2017, Printing Date: 25/11/2019 Jeanette Goebel

Interchangeable =, Not Interchangeable NI, New for Old >>, Old for New <<

No	Teilenummer	Part Name	Qty	Aufrunden	IC	S/N	Remarks	Kg
010	EG651-46920	GRP.VERDAMPFER	1			<=9XZ999		1.087
010	EG651-46923	GRP.VERDAMPFER	1		>>	>=9Y0001		1.087
020	EG283-45850	GELENK	1					0.06
030	EG283-46620	GELENK	2					0.06
040	EG283-11970	SCHALTUNG	1					0.01

DF752-E2BBH -> MOTOR -> 030000 ZUENDKERZE UND VERTEILER ##  
DF752-E2BBH

Update Date: 01/03/2017, Printing Date: 25/11/2019 Jeanette Goebel



EG652-002-12

DF752-E2BBH -> MOTOR -> 030000 ZUENDKERZE UND VERTEILER ## DF752-  
E2BBH

Update Date: 01/03/2017, Printing Date: 25/11/2019 Jeanette Goebel

Interchangeable =, Not Interchangeable NI, New for Old >>, Old for New <<

No	Teilenummer	Part Name	Qty	Aufrunden	IC	S/N	Remarks	Kg
010	12599-67710	ZUENDKERZE	3					0.048
020	EG283-67720	KERZENSTECKER	3					0.003
030	12691-67510	GRP.CORDCENTER	1					0.05
040	EG601-67520	GRP.ZUENDKABEL	1			<=2L7462	ORDER BY REF.No.040 NEW PART	0.07
040	EG601-67522	GRP.ZUENDKABEL	1		>>	>=2N0001		0.08
050	EG601-67530	GRP.ZUENDKABEL	1			<=2L7462		0.08
050	EG601-67532	GRP.ZUENDKABEL	1		>>	>=2N0001		0.08
060	EG601-67540	GRP.ZUENDKABEL	1			<=2L7462		0.08
060	EG601-67542	GRP.ZUENDKABEL	1		>>	>=2N0001		0.09
070	15272-67590	KABELKLEMME	1					0.004

DF752-E2BBH -> MOTOR -> 030000 ZUENDKERZE UND VERTEILER ## DF752-E2BBH

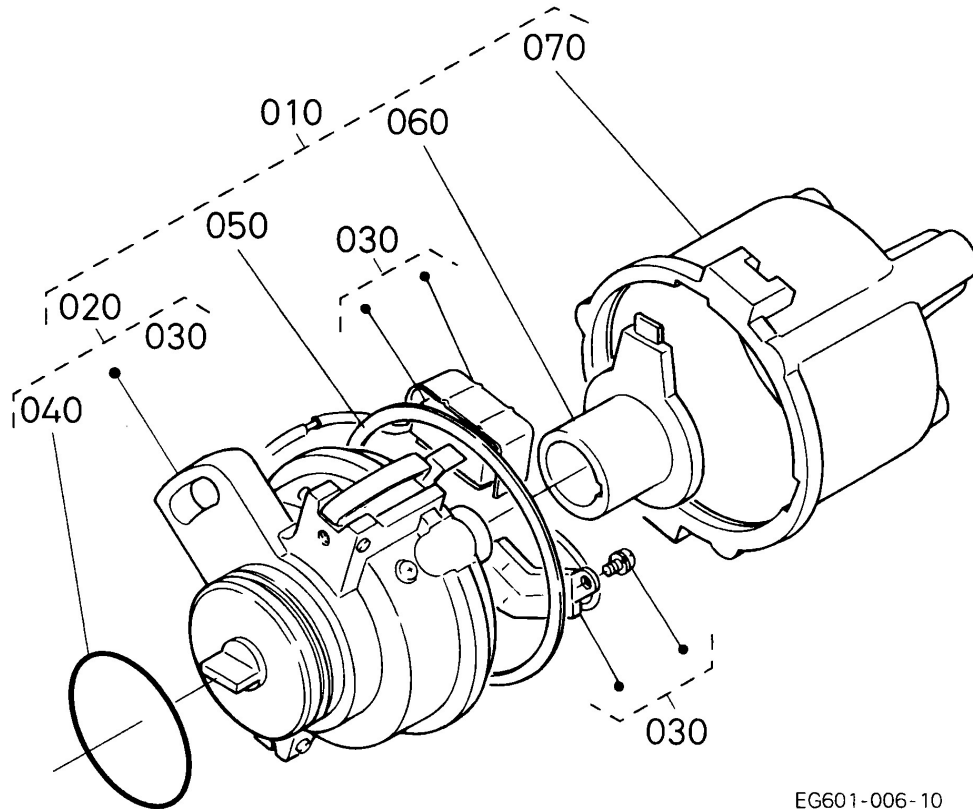
Update Date: 01/03/2017, Printing Date: 25/11/2019 Jeanette Goebel

Interchangeable =, Not Interchangeable NI, New for Old >>, Old for New <<

No	Teilenummer	Part Name	Qty	Aufrunden	IC	S/N	Remarks	Kg
080	EG283-68800	GRP.VERTEILER	1					0.65
130	12581-68820	ROHR	1					0.01
140	EG283-68830	ROHR	1					0.007
150	12691-68840	DECKEL	1					0.1
160	03034-50510	SCHRAUBE	4					0.003

DF752-E2BBH -> MOTOR -> 030100 VERTEILER (EINZEL-TEIL) ## DF752-E2BBH

Update Date: 01/03/2017, Printing Date: 25/11/2019 Jeanette Goebel



EG601-006-10

DF752-E2BBH -> MOTOR -> 030100 VERTEILER (EINZEL-TEIL) ## DF752-E2BBH

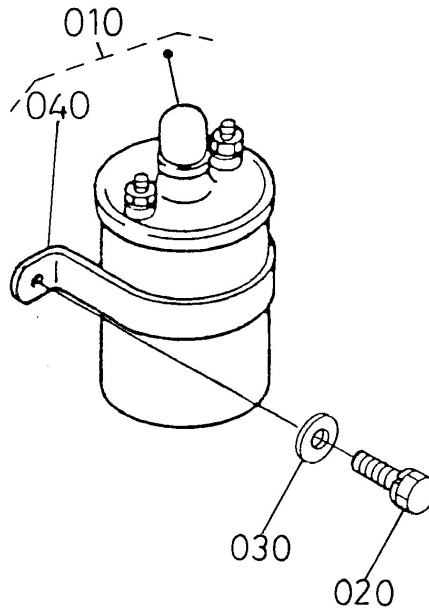
Update Date: 01/03/2017, Printing Date: 25/11/2019 Jeanette Goebel

Interchangeable =, Not Interchangeable NI, New for Old >>, Old for New <<

No	Teilenummer	Part Name	Qty	Aufrunden	IC	S/N	Remarks	Kg
010	EG283-68800	GRP.VERTEILER	1					0.65
020	12581-68500	GRP.GEHAUSE	1					0.56
030	12581-68600	GRP.ZUENDVERTEILER	1					0.05
040	12581-68510	O RING	1					0.001
050	12581-68630	DICHTUNGSPLATTE	1					0.004
060	EG283-68650	GRP. ROTOR	1					0.019
070	12581-68670	GRP.VERSCHLUSS	1					0.1

DF752-E2BBH -> MOTOR -> 030200 ZUENDSPULE ## DF752-E2BBH

Update Date: 01/03/2017, Printing Date: 25/11/2019 Jeanette Goebel



12691-016-12

DF752-E2BBH -> MOTOR -> 030200 ZUENDSPULE ## DF752-E2BBH

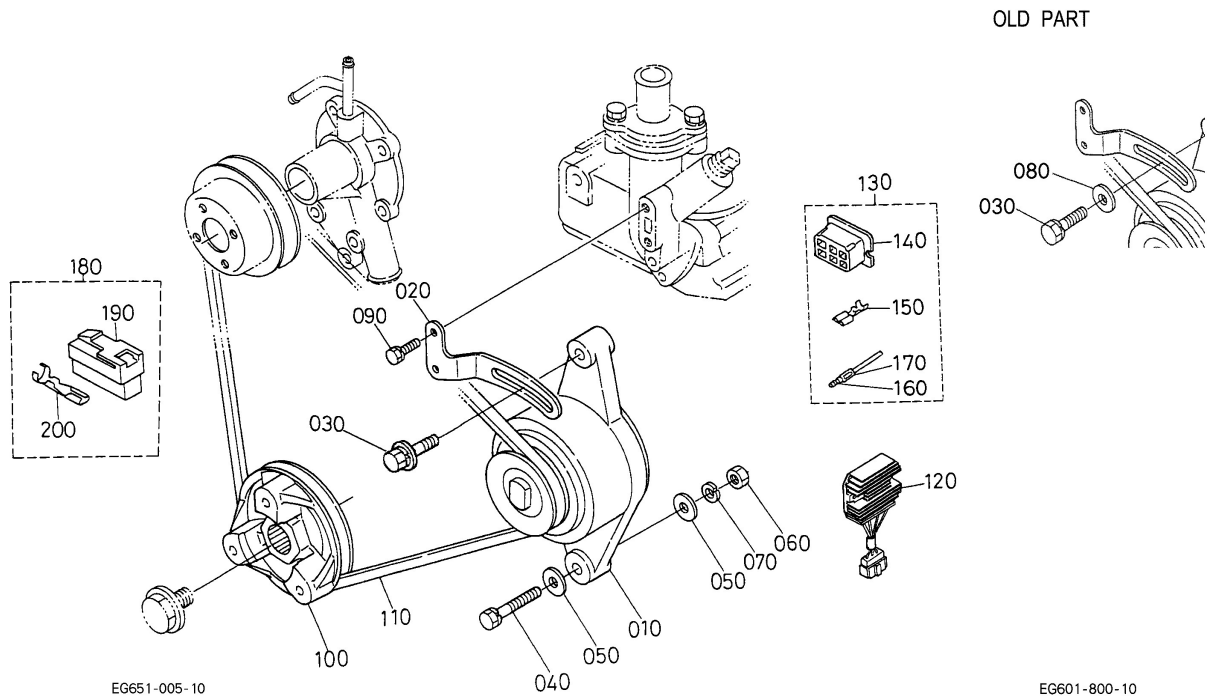
Update Date: 01/03/2017, Printing Date: 25/11/2019 Jeanette Goebel

Interchangeable =, Not Interchangeable NI, New for Old >>, Old for New <<

No	Teilenummer	Part Name	Qty	Aufrunden	IC	S/N	Remarks	Kg
010	12581-68900	ZUENDSPULE	1					0.84
020	01123-50816	BOLZEN	2					0.011
030	04013-50080	SCHEIBE	2					0.003
040	12581-68920	HALTER	1					0.086

DF752-E2BBH -> MOTOR -> 040000 LICHTMASCHINE ## DF752-E2BBH

Update Date: 01/03/2017, Printing Date: 25/11/2019 Jeanette Goebel



DF752-E2BBH -> MOTOR -> 040000 LICHTMASCHINE ## DF752-E2BBH

Update Date: 01/03/2017, Printing Date: 25/11/2019 Jeanette Goebel

Interchangeable =, Not Interchangeable NI, New for Old >>, Old for New <<

No	Teilenummer	Part Name	Qty	Aufrunden	IC	S/N	Remarks	Kg
010	15531-64016	LICHTMASCHINE	1			<=4P2496	14V 12.5A	1.4
010	15531-64017	LICHTMASCHINE	1		=	>=4Q0001	14V 12.5A	1.4
020	12599-64420	HALTER, LICHTMASCHINE	1					0.098
030	01123-50830	BOLZEN	1			<=5R9999		0.015
030	16871-91030	BOLZEN	1		=	>=5S0001		0.025
040	01153-50855	BOLZEN	1					0.023
050	04013-50080	SCHEIBE	2					0.003
060	02156-50080	MUTTER	1					0.004
070	04512-50080	FEDERRING	1					0.002
080	04015-50080	SCHEIBE	1			<=5R9999		0.01
090	01023-50616	BOLZEN	2					0.006
100	16861-74280	RIEMENSCHIBE	1			<=5K9999		1.1
100	16861-74285	RIEMENSCHIBE	1		>>	>=5L0001		1.11
110	15881-97010	KEILRIEMEN	1				34.5IN	0.08

DF752-E2BBH -> MOTOR -> 040000 LICHTMASCHINE ## DF752-E2BBH

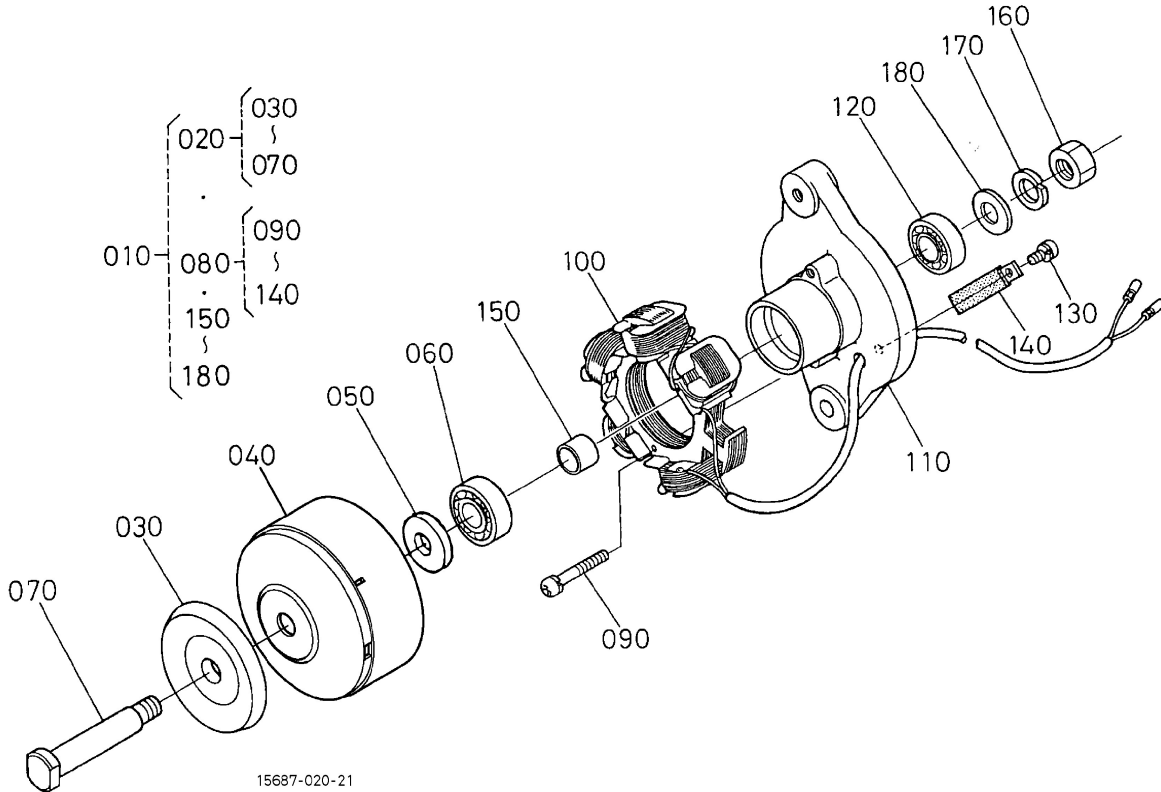
Update Date: 01/03/2017, Printing Date: 25/11/2019 Jeanette Goebel

Interchangeable =, Not Interchangeable NI, New for Old >>, Old for New <<

No	Teilenummer	Part Name	Qty	Aufrunden	IC	S/N	Remarks	Kg
120	RP201-53710	REGLER	1					0.182
130	19428-65830	GRP.KUPPLER	1					0.012
140	19237-65880	ANSCHLUBE	1					0.004
150	19237-65910	ANSCHLUBKLEMME	6					0.001
160	68271-65910	ANSCHLUSSKLEMME	2					0.003
170	68271-65920	MUFFE	2					0.001
180	19838-65830	GRP.KUPPLER	1					0.004
190	19872-65880	ANSCHLUBE	1					0.001
200	19237-65910	ANSCHLUBKLEMME	2					0.001

DF752-E2BBH -> MOTOR -> 040100 LICHTMASCHINE (EINZEL-TEIL) ##  
DF752-E2BBH

Update Date: 01/03/2017, Printing Date: 25/11/2019 Jeanette Goebel



DF752-E2BBH -> MOTOR -> 040100 LICHTMASCHINE (EINZEL-TEIL) ## DF752-E2BBH

Update Date: 01/03/2017, Printing Date: 25/11/2019 Jeanette Goebel

Interchangeable =, Not Interchangeable NI, New for Old >>, Old for New <<

No	Teilenummer	Part Name	Qty	Aufrunden	IC	S/N	Remarks	Kg
010	15531-64016	LICHTMASCHINE	1			<=4P2496		1.4
010	15531-64017	LICHTMASCHINE	1		=	>=4Q0001		1.4
020	15381-64120	KOMP.STATOR	1					0.67
030	15531-64110	RIEMENSCHIEBE	1					0.15
040	15381-64041	FLYWHEEL	1			<=4P2496		0.0
040	15532-64040	SCHWUNGRAD	1		=	>=4Q0001		0.47
050	6C040-82860	HUELSE	1					0.014
060	15531-74180	KUGELLAGER	1					0.04
070	15381-74140	SCHAFT	1					0.07
080	15381-64360	KOMP.STATOR	1					0.59



DF752-E2BBH -> MOTOR -> 040100 LICHTMASCHINE (EINZEL-TEIL) ## DF752-E2BBH

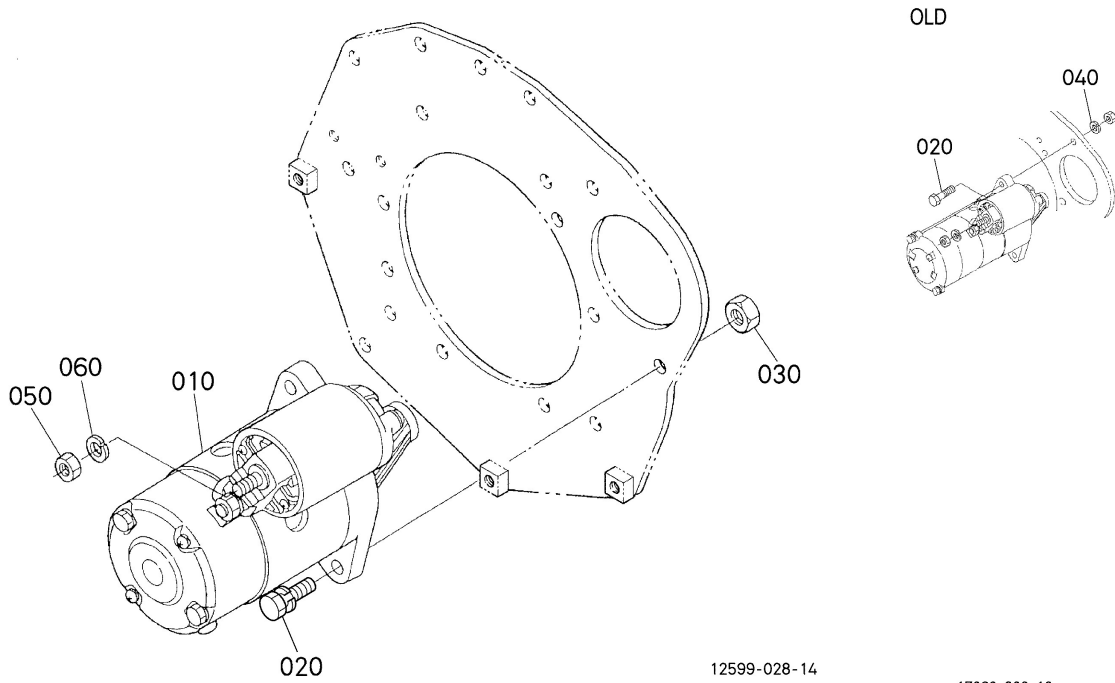
Update Date: 01/03/2017, Printing Date: 25/11/2019 Jeanette Goebel

Interchangeable =, Not Interchangeable NI, New for Old >>, Old for New <<

No	Teilenummer	Part Name	Qty	Aufrunden	IC	S/N	Remarks	Kg
090	15261-93010	RUNDKOPFSCHRAUBE	2					0.003
100	15381-64290	STATOR	1					0.24
110	15381-64070	PLATTE	1					0.26
120	15531-74180	KUGELLAGER	1					0.04
130	15531-93010	RUNDKOPFSCHRAUBE	1					0.002
140	15381-64190	KABELKLEMME	1					0.001
150	15381-64150	HUELSE	1					0.025
160	15261-92030	MUTTER	1					0.01
170	15261-94070	FEDERRING	1					0.003
180	15261-94020	SCHEIBE	1					0.007

DF752-E2BBH -> MOTOR -> 040400 ANLASSER ## DF752-E2BBH

Update Date: 01/03/2017, Printing Date: 25/11/2019 Jeanette Goebel



12599-028-14

17060-803-12

DF752-E2BBH -> MOTOR -> 040400 ANLASSER ## DF752-E2BBH

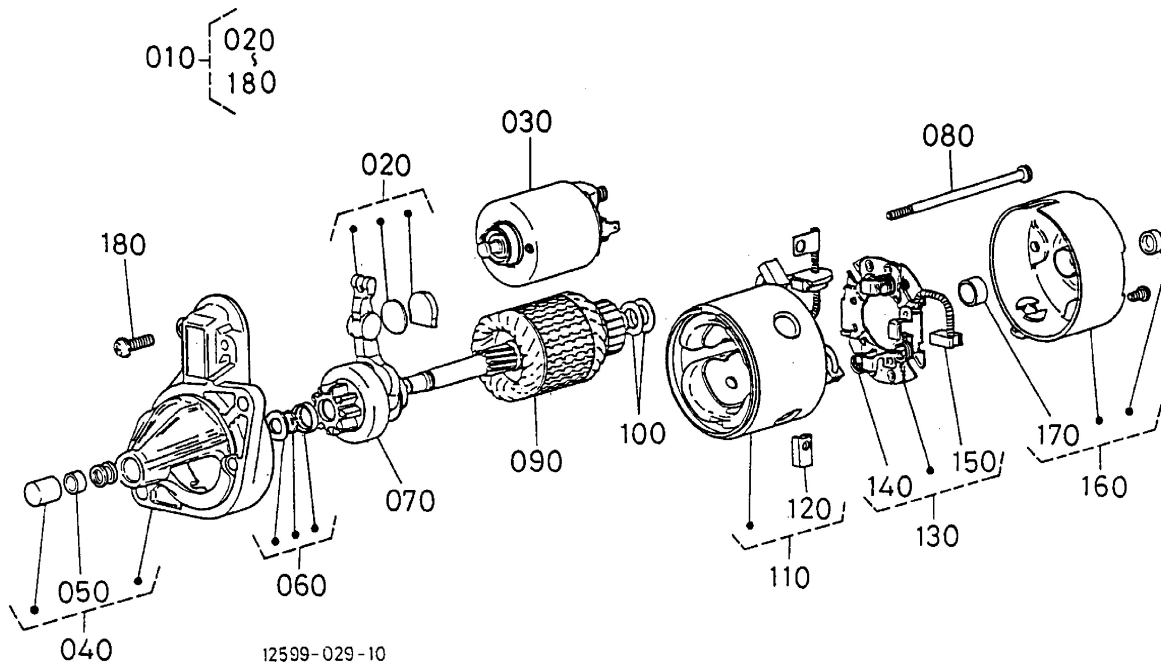
Update Date: 01/03/2017, Printing Date: 25/11/2019 Jeanette Goebel

Interchangeable =, Not Interchangeable NI, New for Old >>, Old for New <<

No	Teilenummer	Part Name	Qty	Aufrunden	IC	S/N	Remarks	Kg
010	15852-63010	GRP.ANLASSER	1			<=4CZZ999	12V,0.7kW	3.4
010	15852-63014	GRP.ANLASSER	1		>>	>=4DA0001	12V,0.7kW	3.4
020	01153-50828	BOLZEN	2			<=6Z9999		0.014
020	01123-50830	BOLZEN	2		>>	>=7A0001		0.015
030	02156-50080	MUTTER	2					0.004
040	04512-50080	FEDERRING	2			<=6Z9999		0.002
050	02156-50080	MUTTER	1					0.004
060	04512-50080	FEDERRING	1					0.002

DF752-E2BBH -> MOTOR -> 040500 ANLASSER (EINZEL-TEIL) ## DF752-E2BBH

Update Date: 01/03/2017, Printing Date: 25/11/2019 Jeanette Goebel



DF752-E2BBH -> MOTOR -> 040500 ANLASSER (EINZEL-TEIL) ## DF752-E2BBH

Update Date: 01/03/2017, Printing Date: 25/11/2019 Jeanette Goebel

Interchangeable =, Not Interchangeable NI, New for Old >>, Old for New <<

No	Teilenummer	Part Name	Qty	Aufrunden	IC	S/N	Remarks	Kg
010	15852-63010	GRP.ANLASSER	1			<=4CZZ999		3.4
010	15852-63014	GRP.ANLASSER	1		>>	>=4DA0001		3.4
020	15852-63050	ANTRIEBSHEBEL	1					0.015
030	15852-63020	MAGNETSCHALTER	1			<=4CZZ999		0.65
030	15852-63023	MAGNETSCHALTER	1		>>	>=4DA0001		0.65
040	15852-63030	ANTRIEBSRAHMEN	1					0.274
050	15852-63240	BUCHSE	1					0.006
060	19837-63150	STOPFEN	1					0.007
070	15852-63040	AUFLAUFKUPPLUNG	1					0.25
080	15852-63320	BOLZEN	2					0.016
090	15852-63070	ARMATUR	1					0.99

DF752-E2BBH -> MOTOR -> 040500 ANLASSER (EINZEL-TEIL) ## DF752-E2BBH

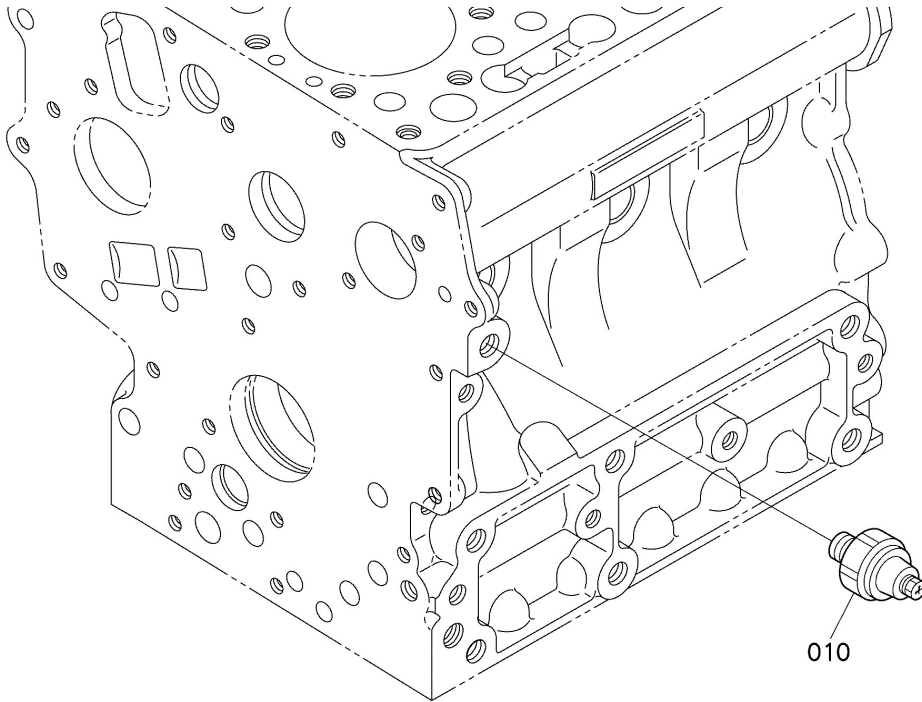
Update Date: 01/03/2017, Printing Date: 25/11/2019 Jeanette Goebel

Interchangeable =, Not Interchangeable NI, New for Old >>, Old for New <<

No	Teilenummer	Part Name	Qty	Aufrunden	IC	S/N	Remarks	Kg
100	15852-63410	EINSTELLSCHEIBE	1					0.006
110	15852-63080	GABELGELENK	1			<=4CZZ999		0.97
110	15852-63083	GABELGELENK	1		>>	>=4DA0001		0.97
120	15852-63360	BUERSTE	2					0.005
130	15852-63380	BUERSTEN HALTER	1					0.052
140	15852-63390	SCHLEIFBUERSTENFEDER	3					0.002
150	15852-63370	BUERSTE	1					0.006
160	15852-63200	RAHMEN	1					0.2
170	15852-63250	BUCHSE	1					0.006
180	15852-93310	SCHRAUBE	1					0.02

DF752-E2BBH -> MOTOR -> 040600 OELSCHALTER, THERMOMETER UND  
 VERSCHLUSSSTOPFEN ## DF752-E2BBH

Update Date: 01/03/2017, Printing Date: 25/11/2019 Jeanette Goebel



12691-019-13

DF752-E2BBH -> MOTOR -> 040600 OELSCHALTER, THERMOMETER UND  
 VERSCHLUSSSTOPFEN ## DF752-E2BBH

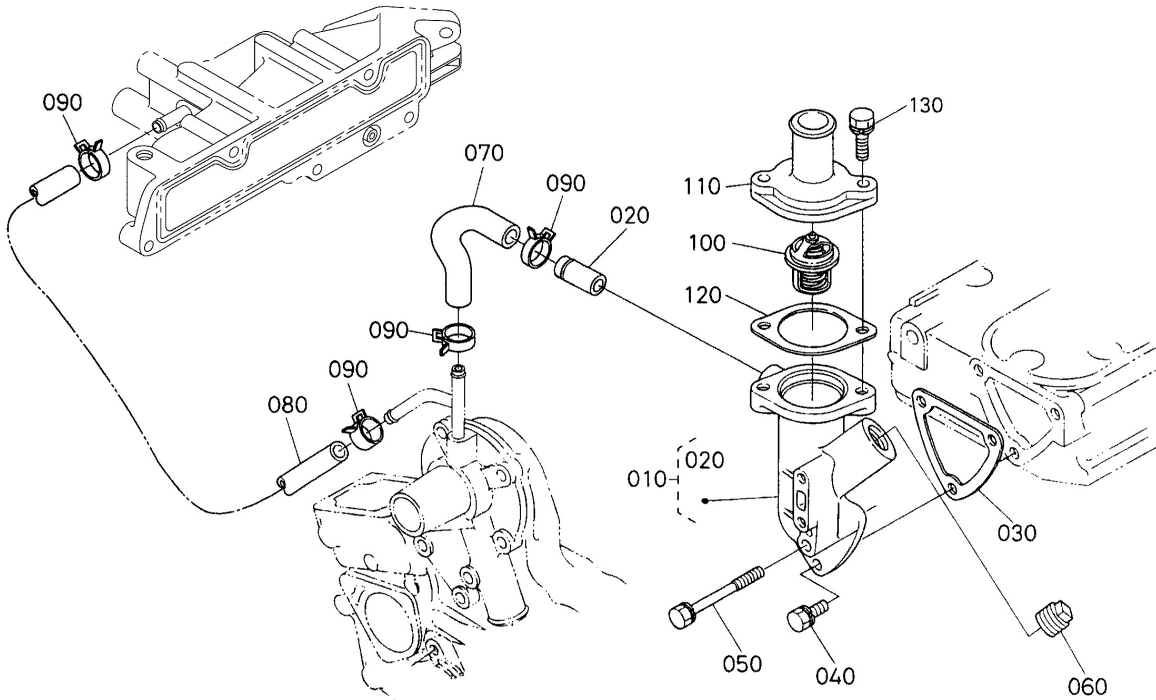
Update Date: 01/03/2017, Printing Date: 25/11/2019 Jeanette Goebel

Interchangeable =, Not Interchangeable NI, New for Old >>, Old for New <<

No	Teilenummer	Part Name	Qty	Aufrunden	IC	S/N	Remarks	Kg
010	15841-39010	OELDRUCKSCHALTER	1			<=4GBZ999		0.03
010	15841-39013	OELDRUCKSCHALTER	1		>>	>=4GC0001		0.03

DF752-E2BBH -> MOTOR -> 050000 WASSERFLANSCH UND THERMOSTAT  
## DF752-E2BBH

Update Date: 01/03/2017, Printing Date: 25/11/2019 Jeanette Goebel



EG601-004-11

DF752-E2BBH -> MOTOR -> 050000 WASSERFLANSCH UND THERMOSTAT ##  
DF752-E2BBH

Update Date: 01/03/2017, Printing Date: 25/11/2019 Jeanette Goebel

Interchangeable =, Not Interchangeable NI, New for Old >>, Old for New <<

No	Teilenummer	Part Name	Qty	Aufrunden	IC	S/N	Remarks	Kg
010	16873-72704	KOMP.FLANSCH	1					0.22
020	16241-73370	ROHR	1					0.007
030	15841-72922	DICHTUNG	1			<=3G9271		0.001
030	15841-72923	DICHTUNG	1		>>	>=3J0001		0.001
040	01023-50616	BOLZEN	2					0.006
050	01023-50650	BOLZEN	1					0.012
060	19298-96020	STOPFEN	1			<=6Z9999		0.027
060	19071-96020	STOPFEN	1		>>	>=7A0001		0.022
070	EG601-73370	WASSERROHR	1					0.02
080	12691-73350	WASSERROHR	1					0.04
090	16241-73360	SCHLAUCHBINDER	4					0.003

DF752-E2BBH -> MOTOR -> 050000 WASSERFLANSCH UND THERMOSTAT ##  
 DF752-E2BBH

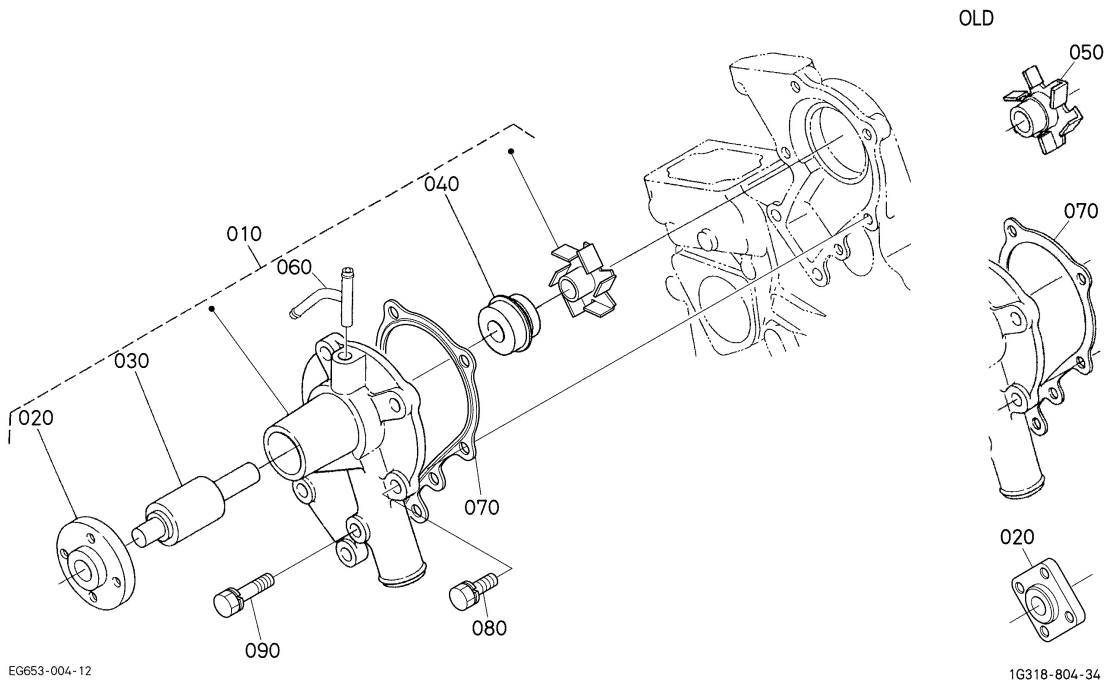
Update Date: 01/03/2017, Printing Date: 25/11/2019 Jeanette Goebel

Interchangeable =, Not Interchangeable NI, New for Old >>, Old for New <<

No	Teilenummer	Part Name	Qty	Aufrunden	IC	S/N	Remarks	Kg
100	15531-73010	GRP.THERMOSTAT	1			<=ADZ999		0.063
100	15531-73013	GRP.THERMOSTAT	1		>>	>=AE0001		0.063
100	15531-73014	GRP.THERMOSTAT	1		>>	>=4CN0001		0.063
110	15841-73260	DECKEL,THERMOSTAT	1					0.04
120	16851-73270	DICHTUNG	1					0.002
130	01023-50622	BOLZEN	2					0.005

DF752-E2BBH -> MOTOR -> 050100 WASSER PUMPE ## DF752-E2BBH

Update Date: 01/03/2017, Printing Date: 25/11/2019 Jeanette Goebel



DF752-E2BBH -> MOTOR -> 050100 WASSER PUMPE ## DF752-E2BBH

Update Date: 01/03/2017, Printing Date: 25/11/2019 Jeanette Goebel

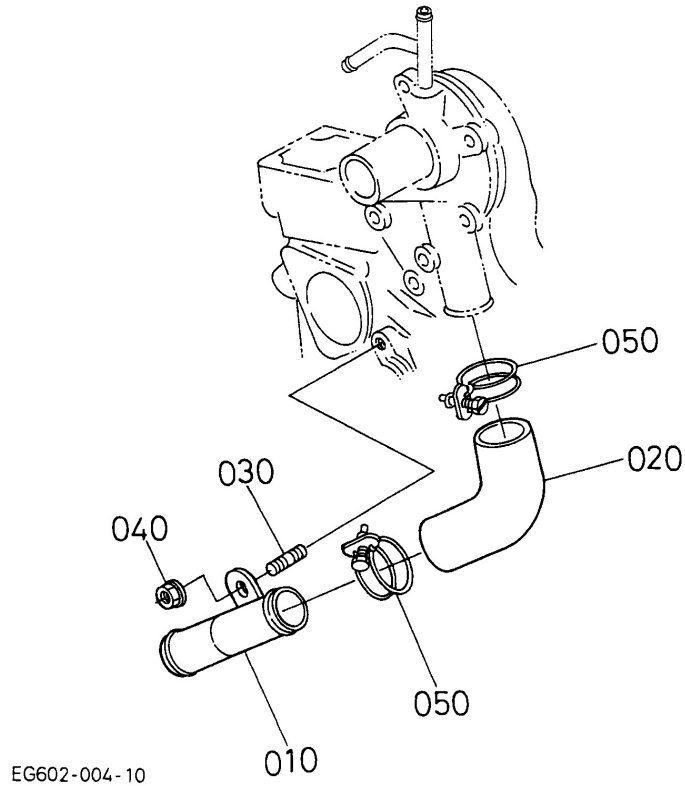
Interchangeable =, Not Interchangeable NI, New for Old >>, Old for New <<

No	Teilenummer	Part Name	Qty	Aufrunden	IC	S/N	Remarks	Kg
010	EG601-73030	GRUPPE WASSERPUMPE	1			<=6B9999		0.58
010	EG561-73030	GRUPPE WASSERPUMPE	1		NI	>=6C0001		0.59
010	EG561-73034	GRUPPE WASSERPUMPE	1		>>	>=BW0001		0.59
020	15852-73520	FLANSCH, PUMPE	1			<=BVZ999		0.13
020	15852-73523	FLANSCH, PUMPE	1		>>	>=BW0001		0.112
030	15852-73550	LAGER	1					0.18
040	15481-73050	DICHTRING	1			<=4HFZ999		0.02
040	15482-73050	GLEITRINGDICHTUNG,KOMP.	1		>>	>=4HG0001		0.0
050	19883-73510	FLUEGELRAD	1			<=6B9999		0.05
060	EG601-73340	WASSERROHR	1					0.03
070	15881-73432	DICHTUNG	1			<=7VZ999		0.002
070	16871-73430	DICHTUNG,WASSERPUMPE	1		>>	>=7W0001		0.006
080	01023-50622	BOLZEN	4					0.005
090	01023-50638	BOLZEN	1					0.01



DF752-E2BBH -> MOTOR -> 050300 WASSERROHR ## DF752-E2BBH

Update Date: 01/03/2017, Printing Date: 25/11/2019 Jeanette Goebel



DF752-E2BBH -> MOTOR -> 050300 WASSERROHR ## DF752-E2BBH

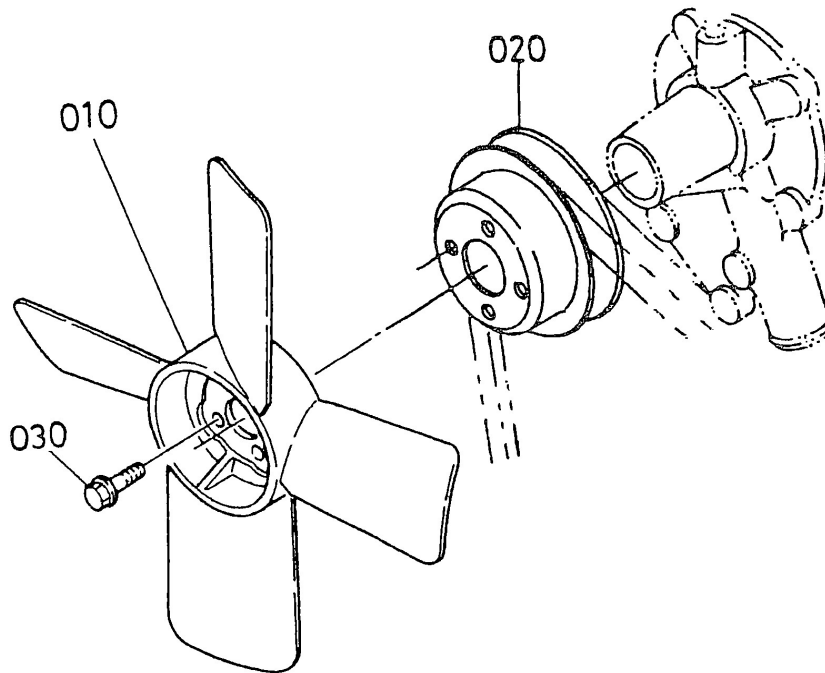
Update Date: 01/03/2017, Printing Date: 25/11/2019 Jeanette Goebel

Interchangeable =, Not Interchangeable NI, New for Old >>, Old for New <<

No	Teilenummer	Part Name	Qty	Aufrunden	IC	S/N	Remarks	Kg
010	15841-72860	WASSERROHR	1			<=4F1505		0.09
010	16805-72860	WASSERROHR	1		NI	>=4G0001		0.1
020	15881-72870	WASSERROHR	1			<=4F1505		0.03
020	16805-72870	SCHLAUCH	1		NI	>=4G0001		0.037
030	15841-91510	STEBBOLZEN	1					0.007
040	02751-50060	MUTTER	1					0.005
050	15841-72960	ROHRBAND	2					0.025

DF752-E2BBH -> MOTOR -> 050400 VENTILATOR ## DF752-E2BBH

Update Date: 01/03/2017, Printing Date: 25/11/2019 Jeanette Goebel



EG261-005-10

DF752-E2BBH -> MOTOR -> 050400 VENTILATOR ## DF752-E2BBH

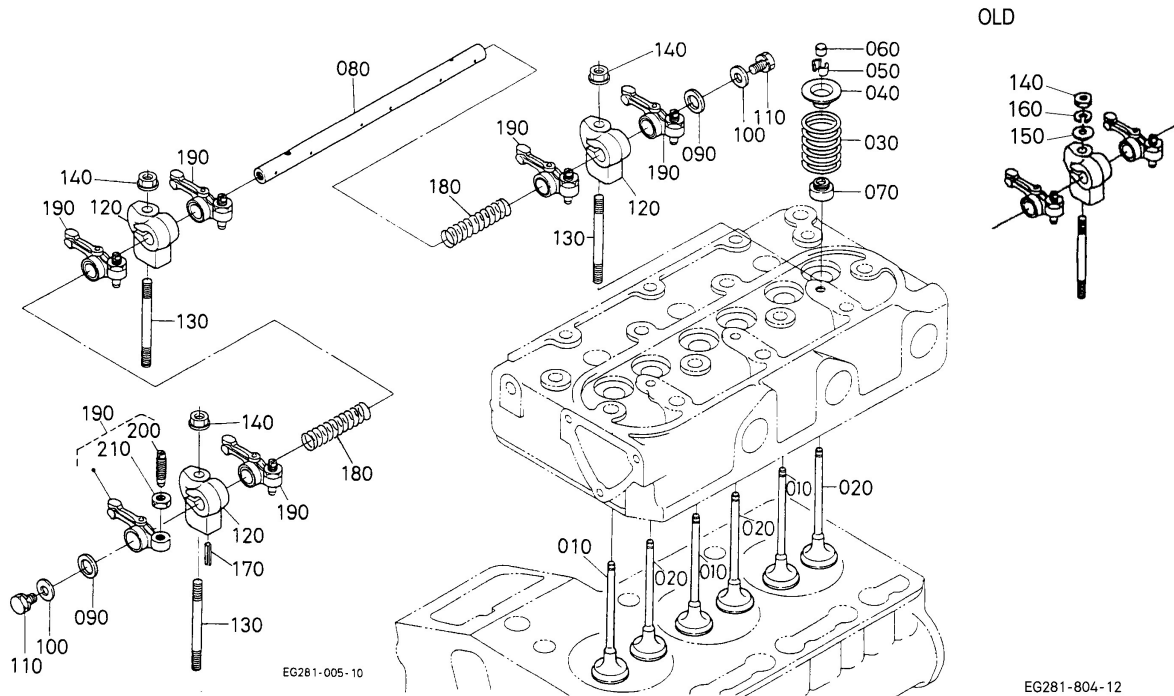
Update Date: 01/03/2017, Printing Date: 25/11/2019 Jeanette Goebel

Interchangeable =, Not Interchangeable NI, New for Old >>, Old for New <<

No	Teilenummer	Part Name	Qty	Aufrunden	IC	S/N	Remarks	Kg
010	15881-74110	VENTILATOR	1					0.2
020	15841-74250	KEILRIEMENSCHLEIFE	1					0.19
030	01754-50610	SCHRAUBE	4					0.006

DF752-E2BBH -> MOTOR -> 060000 VENTILE UND KIPPHEBEL ## DF752-E2BBH

Update Date: 01/03/2017, Printing Date: 25/11/2019 Jeanette Goebel



DF752-E2BBH -> MOTOR -> 060000 VENTILE UND KIPPHEBEL ## DF752-E2BBH

Update Date: 01/03/2017, Printing Date: 25/11/2019 Jeanette Goebel

Interchangeable =, Not Interchangeable NI, New for Old >>, Old for New <<

No	Teilenummer	Part Name	Qty	Aufrunden	IC	S/N	Remarks	Kg
010	12694-13110	EINLASSVENTIL	3					0.04
020	12694-13120	AUSLASSVENTIL	3					0.04
030	14601-13240	VENTIL-FEDER	6					0.015
040	14601-13330	FEDER, HALTEBUEGEL	6					0.01
050	14601-13360	KLEMMSCHEIBE	6				SET	0.001
060	16851-13280	VENTILKAPPE	6					0.005
070	11420-13150	VENTILDICHTUNG	6					0.002
080	15861-14263	KIPPHEBELWELLE	1			<=6T9999		0.094
080	15861-14264	KIPPHEBELWELLE	1		>>	>=6U0001		0.1
090	16871-14430	SCHEIBE	2					0.002
100	15841-94022	SCHEIBE	2					0.005
110	01023-50610	BOLZEN	2					0.005
120	15841-14350	KIPPHEBELHALTER	3			<=2X9999		0.026
120	15841-14353	KIPPHEBELHALTER	3		>>	>=2Y0001		0.026

DF752-E2BBH -> MOTOR -> 060000 VENTILE UND KIPPHEBEL ## DF752-E2BBH

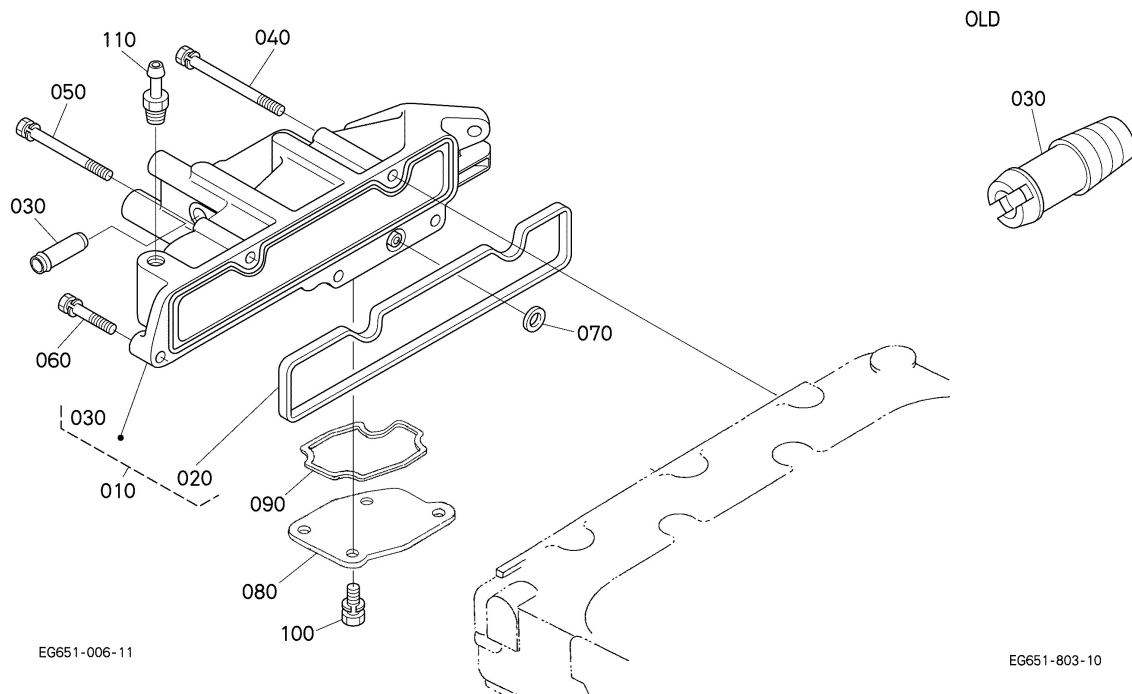
Update Date: 01/03/2017, Printing Date: 25/11/2019 Jeanette Goebel

Interchangeable =, Not Interchangeable NI, New for Old >>, Old for New <<

No	Teilenummer	Part Name	Qty	Aufrunden	IC	S/N	Remarks	Kg
120	1G958-14350	KIPPHEBELHALTER	3		NI	>=4G0001		0.025
130	14601-14410	STEBBOLZEN	3			<=5K9999		0.015
130	14601-14413	STEBBOLZEN	3		>>	>=5L0001		0.012
140	02056-50060	MUTTER	3			<=2C6513		0.002
140	02751-50060	MUTTER	3		NI	>=2E0001		0.005
150	04012-50060	SCHEIBE	3			<=2C6513		0.001
160	04512-50060	FEDERRING	3			<=2C6513		0.001
170	05411-00420	STIFT	1					0.001
180	14601-14310	FEDER,KIPPHEBEL	2			<=6TZ999		0.005
180	14601-14312	FEDER	2		>>	>=6U0001		0.002
190	15841-14030	GRP.KIPPHEBEL	6			<=BPZ999		0.04
190	15841-14036	GRP.KIPPHEBEL	6		>>	>=BQ0001		0.035
200	15841-14230	STELLSCHRAUBE	6					0.003
210	14601-14240	MUTTER	6					0.007

DF752-E2BBH -> MOTOR -> 060100 EINLASSKRUEMMER ## DF752-E2BBH

Update Date: 01/03/2017, Printing Date: 25/11/2019 Jeanette Goebel



DF752-E2BBH -> MOTOR -> 060100 EINLASSKRUEMMER ## DF752-E2BBH

Update Date: 01/03/2017, Printing Date: 25/11/2019 Jeanette Goebel

Interchangeable =, Not Interchangeable NI, New for Old >>, Old for New <<

No	Teilenummer	Part Name	Qty	Aufrunden	IC	S/N	Remarks	Kg
010	12695-11712	GRP.ANSAUG-ROHRK.	1			<=2S7883		0.0
010	EG651-11711	GRP.ANSAUG-ROHRK.	1		NI	>=2U0001		0.0
010	EG651-11712	GRP.ANSAUG-ROHRK.	1		>>	>=5S0001		0.51
020	12581-11820	DICHTUNG ANSAUGROHR	1			<=2S7883	ORDER BY REF.No.020 NEW PART	0.002
020	EG601-11820	DICHTUNG ANSAUGROHR	1		NI	>=2U0001		0.001
030	15531-73340	WASSERROHR	1			<=9VZ999		0.01
030	16241-73370	ROHR	1		NI	>=9W0001		0.007
040	15841-91010	BOLZEN	2					0.014
050	01023-50650	BOLZEN	1					0.012
060	01023-50625	BOLZEN	2					0.007
070	12581-11830	DICHTUNGSPLATTE	1					0.002
080	12581-11790	DECKEL	1					0.06

DF752-E2BBH -> MOTOR -> 060100 EINLASSKRUEMMER ## DF752-E2BBH

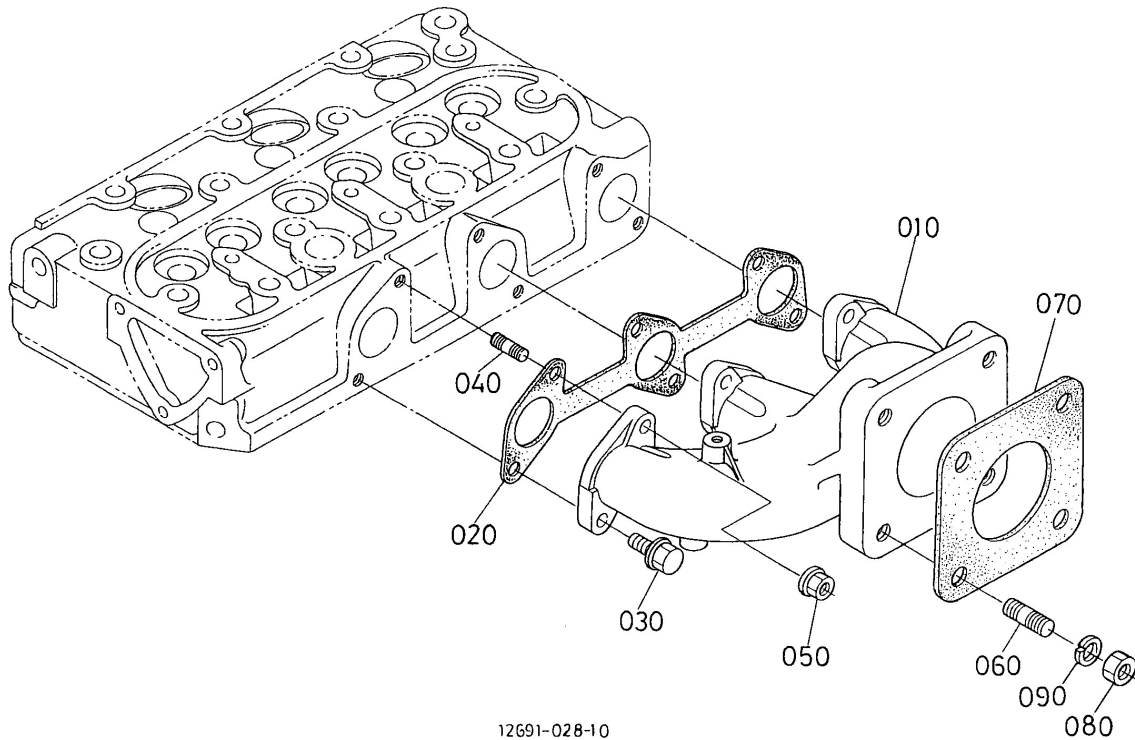
Update Date: 01/03/2017, Printing Date: 25/11/2019 Jeanette Goebel

Interchangeable =, Not Interchangeable NI, New for Old >>, Old for New <<

No	Teilenummer	Part Name	Qty	Aufrunden	IC	S/N	Remarks	Kg
090	12581-11840	DICHTUNGSPLATTE	1					0.001
100	01023-50616	BOLZEN	4					0.006
110	EG283-11970	SCHALTUNG	1					0.01

DF752-E2BBH -> MOTOR -> 060200 AUSPUFFRUEMMER ## DF752-E2BBH

Update Date: 01/03/2017, Printing Date: 25/11/2019 Jeanette Goebel



DF752-E2BBH -> MOTOR -> 060200 AUSPUFFRUEMMER ## DF752-E2BBH

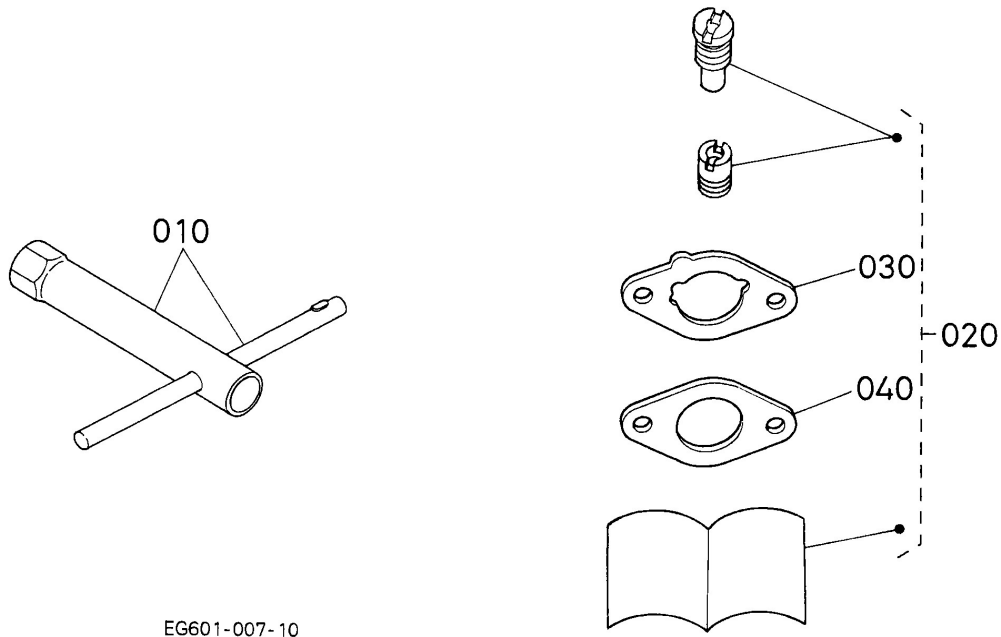
Update Date: 01/03/2017, Printing Date: 25/11/2019 Jeanette Goebel

Interchangeable =, Not Interchangeable NI, New for Old >>, Old for New <<

No	Teilenummer	Part Name	Qty	Aufrunden	IC	S/N	Remarks	Kg
010	19462-12312	AUSPUFFROHR	1					1.4
020	15862-12350	DICHTUNGSPLATTE	1					0.01
030	01759-50616	BOLZEN	3			<=4CMZ999		0.01
030	1J090-91010	BOLZEN	3		>>	>=4CN0001		0.006
040	01513-50618	STEBBOLZEN	3			<=4CXZ999		0.005
040	01513-50620	STEBBOLZEN	3		>>	>=4CY0001		0.006
050	02756-50060	MUTTER	3					0.001
060	01513-50822	STEBBOLZEN	4					0.01
070	15263-12370	DICHTUNG	1					0.015
080	02156-50080	MUTTER	4					0.004
090	04512-50080	FEDERRING	4					0.002

DF752-E2BBH -> MOTOR -> 080800 SONTIGES ZUBEHOR UND SERVICE-  
TEILE ## DF752-E2BBH

Update Date: 01/03/2017, Printing Date: 25/11/2019 Jeanette Goebel



DF752-E2BBH -> MOTOR -> 080800 SONTIGES ZUBEHOR UND SERVICE-TEILE ##  
DF752-E2BBH

Update Date: 01/03/2017, Printing Date: 25/11/2019 Jeanette Goebel

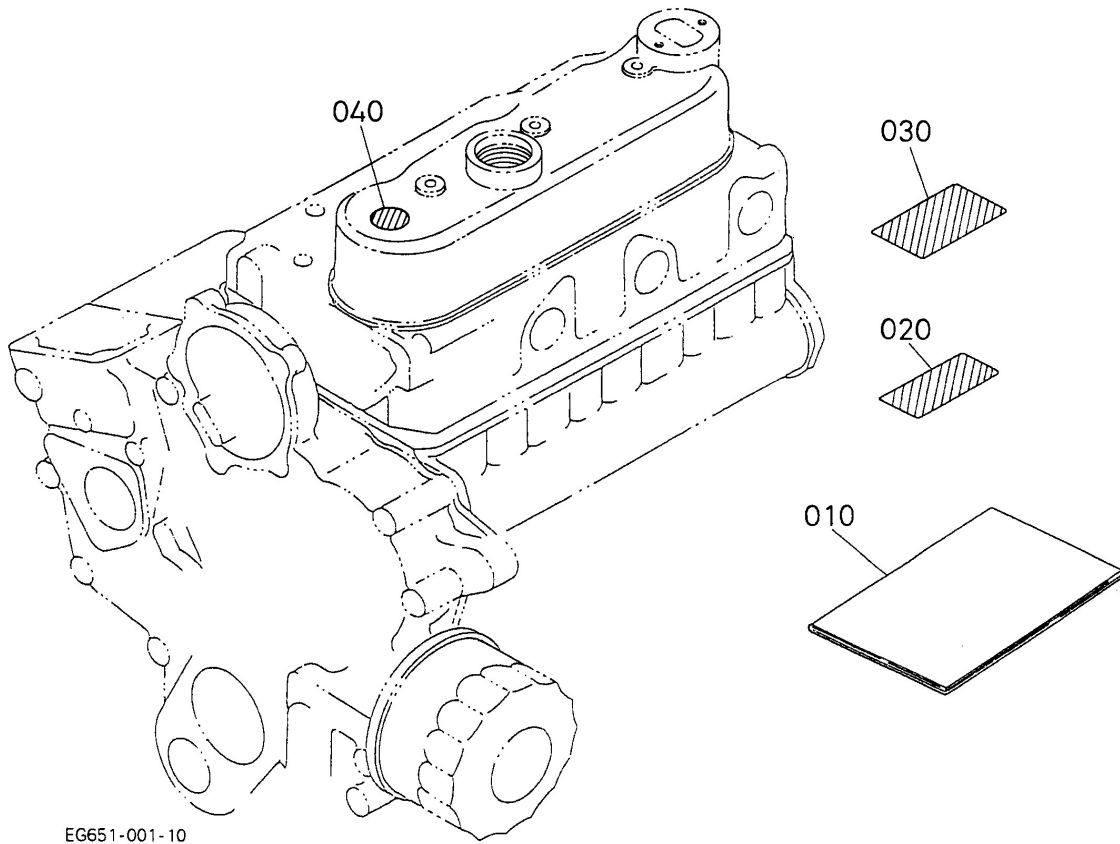
Interchangeable =, Not Interchangeable NI, New for Old >>, Old for New <<

No	Teilenummer	Part Name	Qty	Aufrunden	IC	S/N	Remarks	Kg
010	12581-86200	ZUENDKERZEWRENCH	1					0.13
020	EG651-99300	GRP.KOMPENSATOR	1				0m	0.023
020	EG651-99310	GRP.KOMPENSATOR	1				1000m	0.01
020	EG651-99320	GRP.KOMPENSATOR	1				2000m	0.02
030	EG261-11510	DICHTUNG,LUFTFILTER	1					0.014
040	12035-46110	DICHTUNG,VERGASER	1					0.002



DF752-E2BBH -> MOTOR -> 080900 ETIKETT UND BEDIENUNGSANLEITUNG  
## DF752-E2BBH

Update Date: 01/03/2017, Printing Date: 25/11/2019 Jeanette Goebel



DF752-E2BBH -> MOTOR -> 080900 ETIKETT UND BEDIENUNGSANLEITUNG ##  
DF752-E2BBH

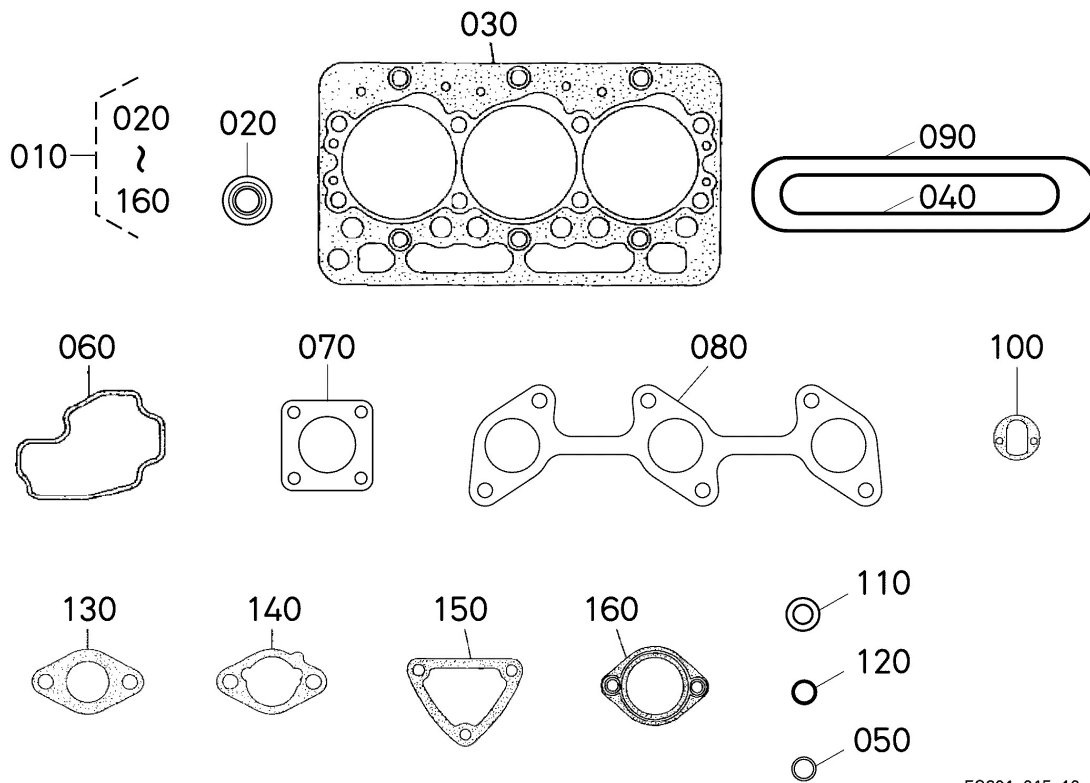
Update Date: 01/03/2017, Printing Date: 25/11/2019 Jeanette Goebel

Interchangeable =, Not Interchangeable NI, New for Old >>, Old for New <<

No	Teilenummer	Part Name	Qty	Aufrunden	IC	S/N	Remarks	Kg
010	EG601-89160	DETDIENUNGSANLEITUNG	1			<=1Y5272		0.03
010	EG601-89163	DETDIENUNGSANLEITUNG	1		NI	>=2A0001		0.03
010	EG601-89164	DETDIENUNGSANLEITUNG	1		>>	>=4E0001		0.03
010	EG601-89165	DETDIENUNGSANLEITUNG	1		NI	>=8G0001		0.03
010	EG601-89166	DETDIENUNGSANLEITUNG	1		>>	>=BA0001		0.03
010	EG601-89260	DETDIENUNGSANLEITUNG	1		NI	>=4EJ0001		0.0
020	12599-88222	AUFKLEBER,ACHTUNG	1			<=9FZ999	ORDER BY REF.No.020 NEW PART	0.001
020	12599-88223	AUFKLEBER,ACHTUNG	1		>>	>=9G0001		0.001
030	19426-87880	AUFKLEBER	1					0.001
040	12695-87130	MARK	1					0.001

DF752-E2BBH -> MOTOR -> 090001 DICHTUNG-GERAET ## DF752-E2BBH

Update Date: 01/03/2017, Printing Date: 25/11/2019 Jeanette Goebel



EG601-015-10

DF752-E2BBH -> MOTOR -> 090001 DICHTUNG-GERAET ## DF752-E2BBH

Update Date: 01/03/2017, Printing Date: 25/11/2019 Jeanette Goebel

Interchangeable =, Not Interchangeable NI, New for Old >>, Old for New <<

No	Teilenummer	Part Name	Qty	Aufrunden	IC	S/N	Remarks	Kg
010	EG601-99330	OBERDICHTUNGENTASCHE	1					0.151
020	11420-13150	VENTILDICHTUNG	6					0.002
030	EG601-03310	ZYLINDERKOPFDICHTUNG	1					0.032
040	EG601-11820	DICHTUNG ANSAUGROHR	1					0.001
050	12581-11830	DICHTUNGSPLATTE	1					0.002
060	12581-11840	DICHTUNGSPLATTE	1					0.001
070	15263-12370	DICHTUNG	1					0.015
080	15862-12350	DICHTUNGSPLATTE	1					0.01
090	16861-14522	VENTILDECKELDICHTUNG	1					0.02
100	17524-05130	DICHTUNGSPLATTE	2					0.001
110	15601-96650	DICHTUNGSPLATTE	1					0.001
120	04814-50300	O RING	1					0.001

DF752-E2BBH -> MOTOR -> 090001 DICHTUNG-GERAET ## DF752-E2BBH

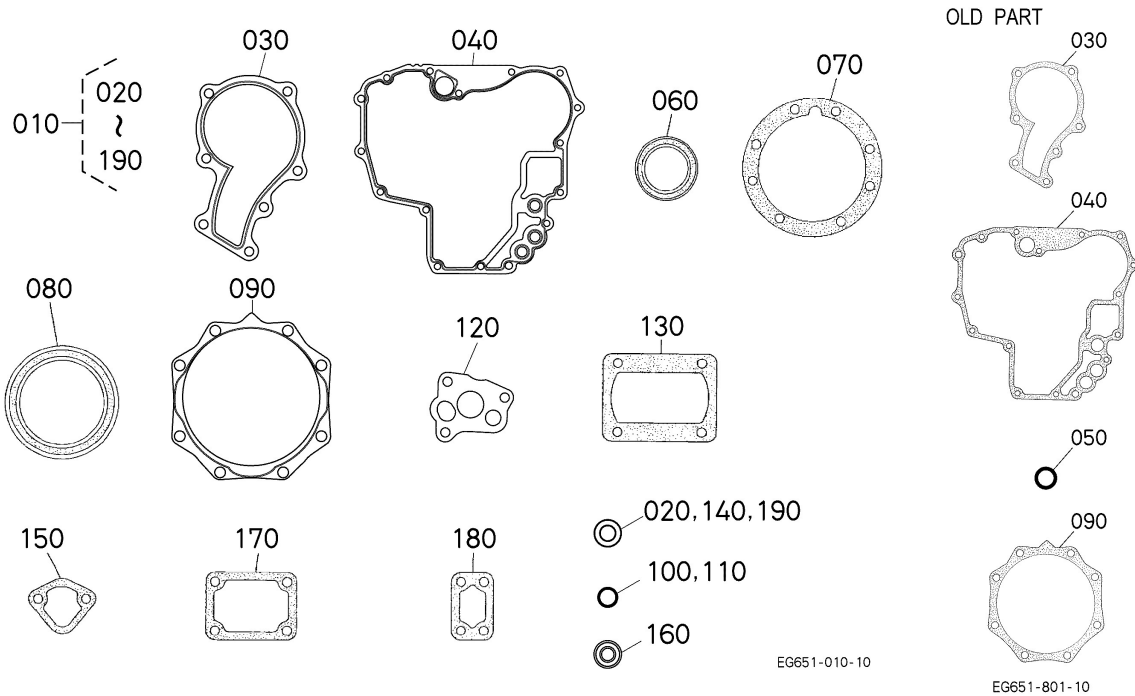
Update Date: 01/03/2017, Printing Date: 25/11/2019 Jeanette Goebel

Interchangeable =, Not Interchangeable NI, New for Old >>, Old for New <<

No	Teilenummer	Part Name	Qty	Aufrunden	IC	S/N	Remarks	Kg
130	12035-46110	DICHTUNG,VERGASER	2					0.002
140	EG261-11510	DICHTUNG,LUFTFILTER	1					0.014
150	15841-72923	DICHTUNG	1					0.001
160	16851-73270	DICHTUNG	1					0.002

DF752-E2BBH -> MOTOR -> 090002 DICHTUNG-GERAET ## DF752-E2BBH

Update Date: 01/03/2017, Printing Date: 25/11/2019 Jeanette Goebel



DF752-E2BBH -> MOTOR -> 090002 DICHTUNG-GERAET ## DF752-E2BBH

Update Date: 01/03/2017, Printing Date: 25/11/2019 Jeanette Goebel

Interchangeable =, Not Interchangeable NI, New for Old >>, Old for New <<

No	Teilenummer	Part Name	Qty	Aufrunden	IC	S/N	Remarks	Kg
010	EG601-99340	UNTERDICHTUNGENTASCH	1			<=7VZ999		0.145
010	EG601-99342	UNTERDICHTUNGENTASCH	1		NI	>=7W0001		0.145
020	6C090-58960	DICHTUNGSPLATTE	1					0.005
030	15881-73432	DICHTUNG	1			<=7VZ999		0.002
030	16871-73430	DICHTUNG,WASSERPUMPE	1		=	>=7W0001		0.006
040	15862-04132	DICHTUNG	1			<=7VZ999		0.007
040	16871-04130	DICHTUNG	1		NI	>=7W0001		0.0
050	04814-06130	O RING	3			<=7VZ999		0.001
060	15877-04140	OELDICHTUNGSRING	1					0.011
070	15852-04360	DICHTUNG,LAGER	1					0.005
080	1G460-04460	OELDICHTUNGSRING	1					0.032
090	15841-04822	DICHTUNGSPLATTE	1			<=7VZ999		0.004
090	15841-04823	DICHTUNG	1		=	>=7W0001		0.007
100	04814-16220	O RING	1					0.001
110	04814-00160	O RING	1					0.001

DF752-E2BBH -> MOTOR -> 090002 DICHTUNG-GERAET ## DF752-E2BBH

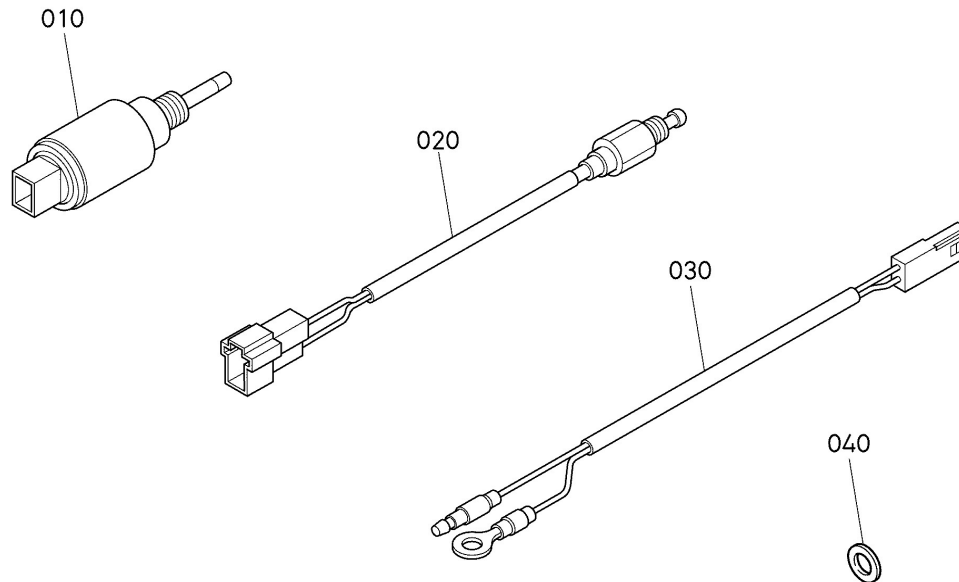
Update Date: 01/03/2017, Printing Date: 25/11/2019 Jeanette Goebel

Interchangeable =, Not Interchangeable NI, New for Old >>, Old for New <<

No	Teilenummer	Part Name	Qty	Aufrunden	IC	S/N	Remarks	Kg
120	16851-35152	DICHTUNG,OELPUMPE	1					0.001
130	EG281-51660	DICHTUNGSPLATTE	1					0.002
140	15601-96650	DICHTUNGSPLATTE	1					0.001
150	16264-52140	DICHTUNG	1					0.001
160	12581-55850	OELDICHTUNGSRING	1					0.002
170	15841-57212	DICHTUNG	1					0.001
180	EG281-56340	DICHTUNGSPLATTE	1					0.001
190	15601-96650	DICHTUNGSPLATTE	4					0.001

DF752-E2BBH -> MOTOR -> 090600 OPTION ## DF752-E2BBH

Update Date: 01/03/2017, Printing Date: 25/11/2019 Jeanette Goebel



EG651-004-11

DF752-E2BBH -> MOTOR -> 090600 OPTION ## DF752-E2BBH

Update Date: 01/03/2017, Printing Date: 25/11/2019 Jeanette Goebel

Interchangeable =, Not Interchangeable NI, New for Old >>, Old for New <<

No	Teilenummer	Part Name	Qty	Aufrunden	IC	S/N	Remarks	Kg
010	EG551-44720	DRAHTSPULE,KOMP	1					0.048
020	EG551-44790	DRAHTSPULE,KOMP	1					0.07
030	EG551-44920	ANSCHLUBKLEMME,KOMP	1			<=3U9615		0.007
030	EG651-44920	ANSCHLUBKLEMME,KOMP	1		>>	>=3W0001		0.05
040	EG551-44950	DICHTUNGSPLATTE	1			>=AY0001		0.001